



CLASIFICACIÓN OLAS

| Pos | Cat. | Nombre | Núm. Vela | 1 | 2 | 3 | 4 | 5 | D1 | D2 | Total | Sponsors | Club | Federación |
|-----|------|--------------------|-----------|------|---|---|---|---|----|----|-------|---|---------------------|------------|
| 1 | S | Víctor Fernández | E-42 | 0,7 | | | | | | | 0,7 | Fanatic, North Sails, MFC, Quilsilver | CW Mar Azul | Andaluza |
| 2 | S | Daniel Bruch | E-181 | 2,0 | | | | | | | 2,0 | Patrick, Severne, AL360, O'neill, OTC, Flying Objects, Ay. Granadilla | Independiente | Canaria |
| 3 | S | Álex Mussolini | E-30 | 3,0 | | | | | | | 3,0 | Tabou, Vandal, Radz, Plasma, Vic Team | CN Castelldefels | Catalana |
| 4 | S | Jonás Ceballos | E-40 | 4,0 | | | | | | | 4,0 | Mistral, Simeer Style, Technolimits, UMI Pictres | Independiente | Canaria |
| 5 | M | Marcos Pérez | E-7 | 5,0 | | | | | | | 5,0 | Exocet, Gun Sails, Qúiko, Agüimes | C.Regata Suroeste N | Canaria |
| 6 | S | Dario Ojeda | E-211 | 6,0 | | | | | | | 6,0 | Simmer, Dakine, MFC, Mormaii, Hullon, Costa Maspalomas | Independiente | Canaria |
| 7 | M | Valter Scotto | TF-3 | 7,0 | | | | | | | 7,0 | Fanatic, Challenger, Maverx, AL360, Cabezo Surf Shop | CW77 | Canaria |
| 7 | S | Omar Sánchez | E-33 | 7,0 | | | | | | | 7,0 | Rrd Board & Sailboards, Secretpoints | WAP | Canaria |
| 9 | S | Eleazar Alonso | E-41 | 9,0 | | | | | | | 9,0 | Naish, Mormaii, Lpwindsurf, Nissan, KingHogar | WAP | Catalana |
| 9 | S | Francisco Casas | E-80 | 9,0 | | | | | | | 9,0 | Starboard, Severne, Eolo Windsurfing, Lema Boats | CD Sureste Cabo de | Andaluza |
| 9 | M | Pablo Ruiz | E-235 | 9,0 | | | | | | | 9,0 | Killerfish, Simmer | WAP | Catalana |
| 9 | S | Giacoimo Venturini | E-143 | 9,0 | | | | | | | 9,0 | Secret Sails | Club Windsurf 77 | Canaria |
| 13 | S | José Romero | E-45 | 13,0 | | | | | | | 13,0 | Neilpryde, JP Australia, LPWS, Secretpoints | CW77 | Canaria |
| 13 | S | Aleix Sanllehy | CAT-555 | 13,0 | | | | | | | 13,0 | Goya Board & Sails, Oxbow, Fausto, Style Arquitectura | Surfera Gironina | Catalana |
| 13 | J | Alessio Stillrich | E-95 | 13,0 | | | | | | | 13,0 | Fanatic, North Sails, Cutre, AL360, Animal | WAP | Catalana |
| 13 | S | Javier Perdomo | E-128 | 13,0 | | | | | | | 13,0 | - | Independiente | Canaria |
| 17 | S | Eric Sanllehy | CAT-1111 | 17,0 | | | | | | | 17,0 | Goya Board & Sails, Oxbow, Fausto, Style Arquitectura | Surfera Gironina | Catalana |
| 17 | S | Josep Pons | E-203 | 17,0 | | | | | | | 17,0 | Secret Sails, Killerfish, ION | WAP | Catalana |
| 17 | M | Xavier Torres | E-74 | 17,0 | | | | | | | 17,0 | Naish Sails & Boards | WAP | Catalana |
| 17 | M | Jaume Juncà | E-73 | 17,0 | | | | | | | 17,0 | RRD, Simmer, Juncà Sañier Constructor | WAP | Catalana |
| 17 | J | Pablo Ramírez | E-244 | 17,0 | | | | | | | 17,0 | Secret Sails, Hullon, Animal | Independiente | Canaria |
| 17 | M | Ismaele De Nuzzo | E-246 | 17,0 | | | | | | | 17,0 | Challenger, Maverix, AL360, Cabezo Surf Shop | CW77 | Canaria |
| 17 | J | Moritz Mauch | E-103 | 17,0 | | | | | | | 17,0 | North Sails, Mistral, Club Mistral, Animal | WAP | Catalana |
| 24 | S | Andrea Palazzo | E-163 | 25,0 | | | | | | | 25,0 | Point-7, Why Board, Dude | Club Windsurf 77 | Canaria |
| 24 | M | Màrius Solà | E-79 | 25,0 | | | | | | | 25,0 | Rrd, Sailboards Tarifa&Girona, Doctor X, Ezzy Sails, Gopro | CN Bétulo | Catalana |
| 24 | M | Sandro Dalessio | TF-611 | 25,0 | | | | | | | 25,0 | Maverx, Oxbow, AL360, Cabezo Shop | Club Windsurf 77 | Canaria |
| 27 | S | Ibán Hernandez | E-172 | 33,0 | | | | | | | 33,0 | D-Light | Club Windsurf 77 | Canaria |
| 27 | S | Jochen Stolz | E-174 | 33,0 | | | | | | | 33,0 | Severne, Dlight, Mikes Sail Repair, Windsurfingtenerife.com, Cerveceria Chris | Club Windsurf 77 | Canaria |

MÁSTER

| Pos | Cat. | Nombre | Núm. Vela | 1 | 2 | 3 | 4 | 5 | D1 | D2 | Total | Sponsors | Club | Federación |
|-----|------|------------------|-----------|-----|---|---|---|---|----|----|-------|--|---------------------|------------|
| 1 | M | Marcos Pérez | E-7 | 0,7 | | | | | | | 0,7 | Exocet, Gun Sails, Qúiko, Ayuntamiento de Agüimes | C.Regata Suroeste N | Canaria |
| 2 | M | Pablo Ruiz | E-235 | 2,0 | | | | | | | 2,0 | Killerfish, Simmer | WAP | Catalana |
| 3 | M | Valter Scotto | TF-3 | 3,0 | | | | | | | 3,0 | Fanatic, Challenger, Maverx, AL360, Cabezo Surf Shop | Club Windsurf 77 | Canaria |
| 4 | M | Ismaele De Nuzzo | E-246 | 4,0 | | | | | | | 4,0 | Challenger, Maverix, AL360, Cabezo Surf Shop | Club Windsurf 77 | Canaria |
| 5 | M | Jaume Juncà | E-73 | 8,0 | | | | | | | 8,0 | RRD, Simmer, Juncà Sañier Constructor | WAP | Catalana |
| 5 | M | Màrius Solà | E-79 | 8,0 | | | | | | | 8,0 | Rrd, Sailboards Tarifa&Girona, Doctor X, Ezzy Sails, Gopro | CN Bétulo | Catalana |
| 5 | M | Sandro Dalessio | TF-611 | 8,0 | | | | | | | 8,0 | Maverx, Oxbow, AL360, Cabezo Shop | Club Windsurf 77 | Canaria |
| 5 | M | Xavier Torres | E-74 | 8,0 | | | | | | | 8,0 | Naish Sails & Boards | WAP | Catalana |

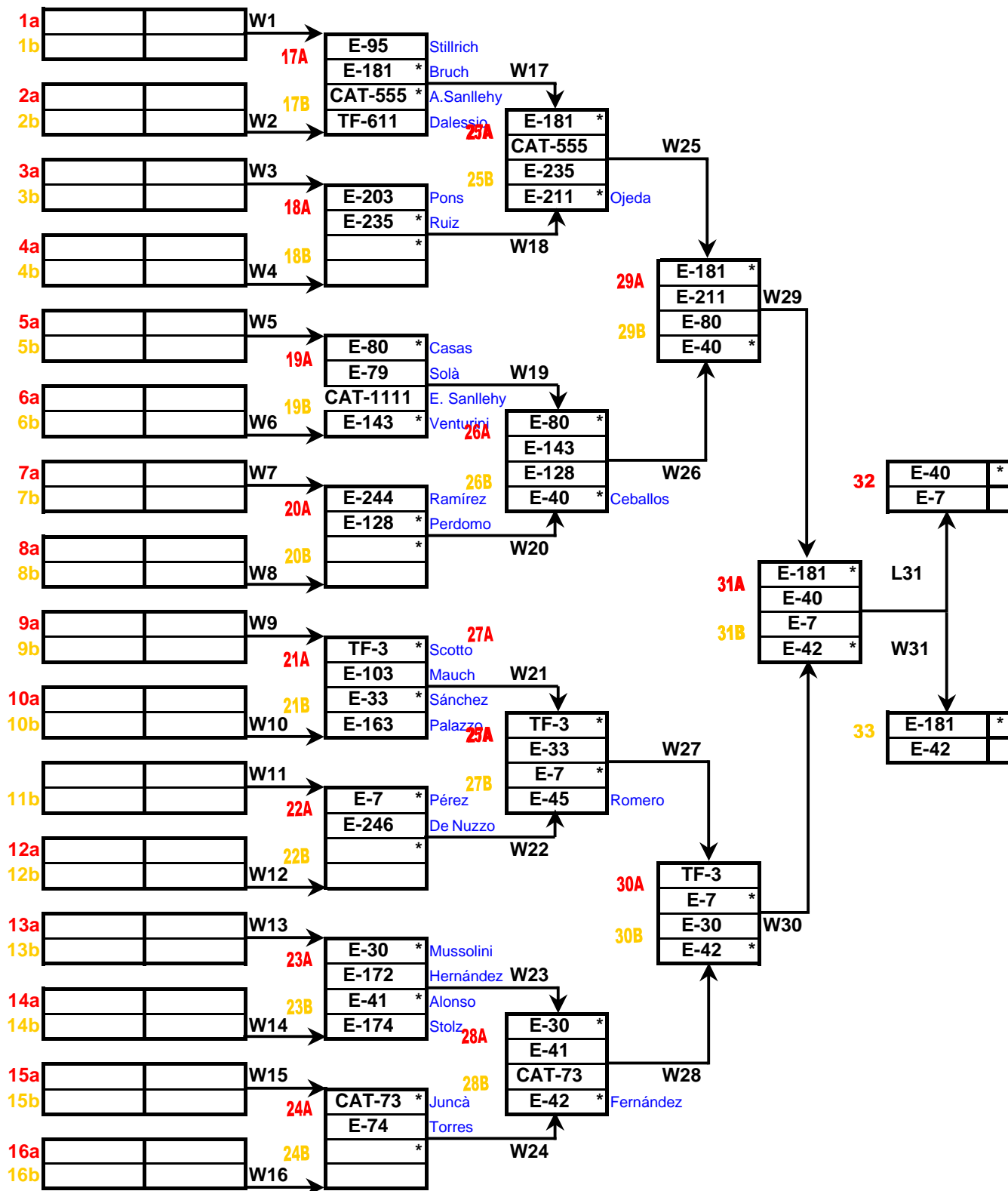
JUVENIL

| Pos | Cat. | Nombre | Núm. Vela | 1 | 2 | 3 | 4 | 5 | D1 | D2 | Total | Sponsors | Club | Federación |
|-----|------|-------------------|-----------|-----|---|---|---|---|----|----|-------|--|---------------|------------|
| 1 | J | Alessio Stillrich | E-95 | 0,7 | | | | | | | 0,7 | Fanatic, North Sails, Cutre, AL360, Animal | WAP | Catalana |
| 2 | J | Moritz Mauch | E-103 | 2,0 | | | | | | | 2,0 | North Sails, Mistral, Club Mistral, Animal | WAP | Catalana |
| 3 | J | Pablo Ramírez | E-244 | 3,0 | | | | | | | 3,0 | Secret Sails, Hullon, Animal | Independiente | Canaria |



REAL FEDERACIÓN ESPAÑOLA DE VELA
XAVIER TORRES - SECRETARIO NACIONAL DE FUNBOARD

CIRCUITO ESPAÑOL DE FUNBOARD 2010
5º PRUEBA CEF - TENERIFE EL MÉDANO
CLUB: CLUB WINDSURF 77
El Médano - Granadilla de Abona, 17 y 18 de Julio
Modalidad: Olas



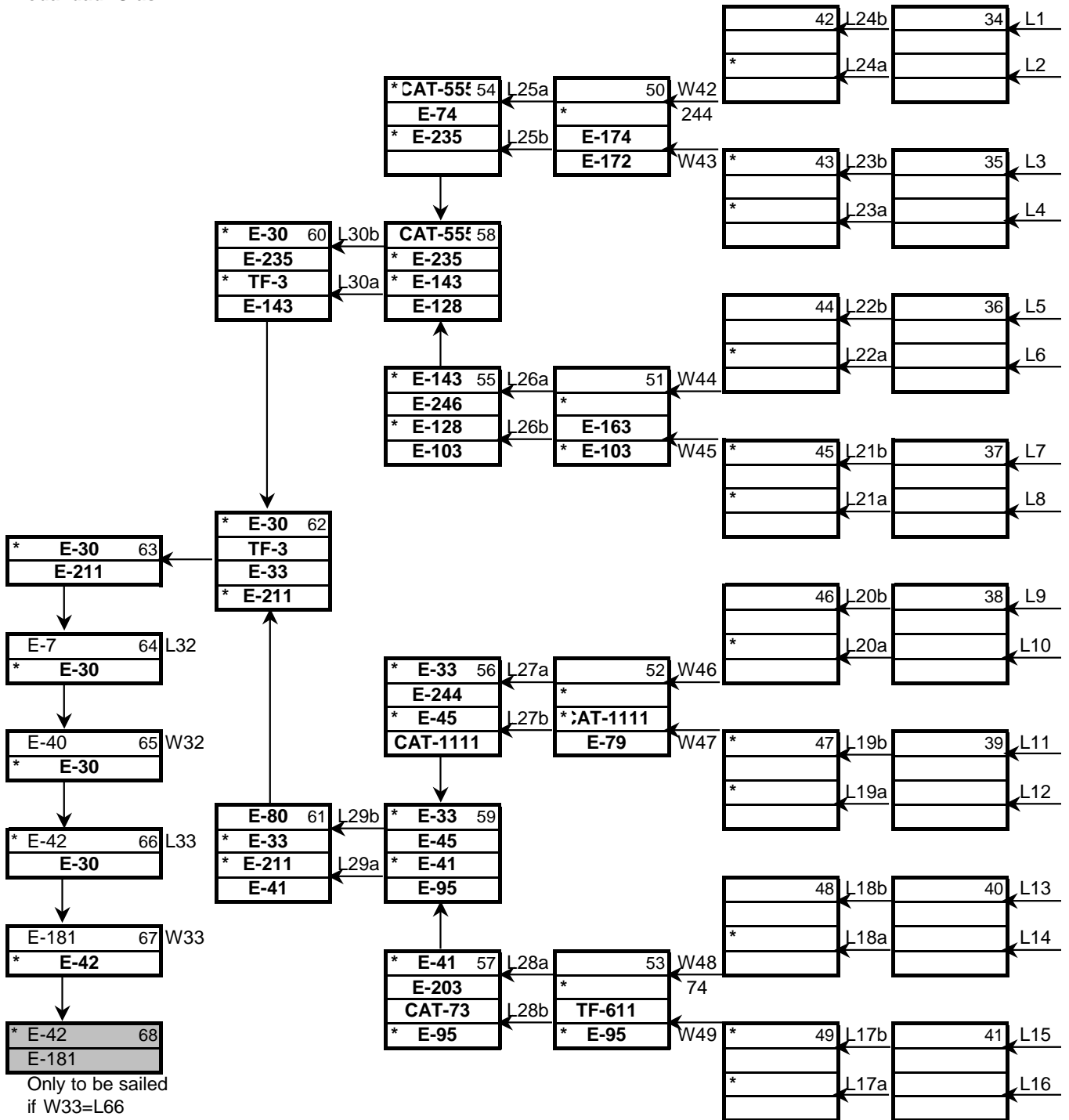
Eliminatoria Simple

Wave / Freestyle Seeding



REAL FEDERACIÓN ESPAÑOLA DE VELA
XAVIER TORRES - SECRETARIO NACIONAL DE FUNBOARD

CIRCUITO ESPAÑOL DE FUNBOARD 2010
5º PRUEBA CEF - TENERIFE EL MÉDANO
CLUB: CLUB WINDSURF 77
El Médano - Granadilla de Abona, 17 y 18 de Julio
Modalidad: Olas



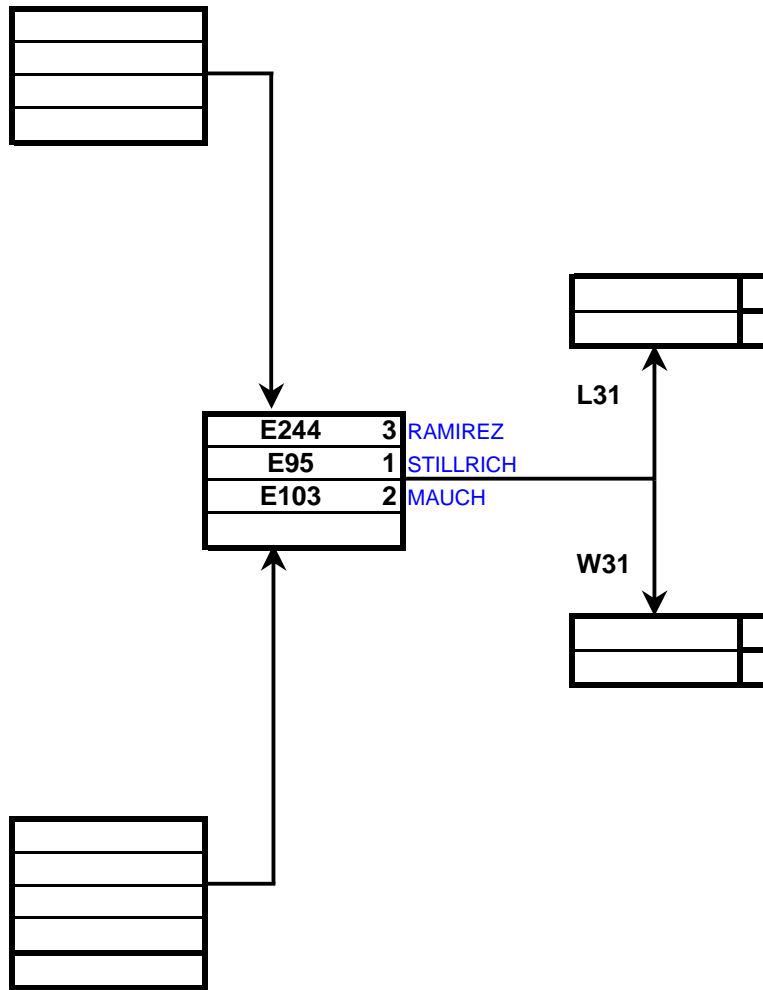
0
0

CIRCUITO ESPAÑOL DE FUNBOARD 2010
5º PRUEBA CEF - TENERIFE EL MÉDANO
CLUB: CLUB WINDSURF 77
El Médano - Granadilla de Abona, 17 y 18 de Julio
Modalidad: Olas



REAL FEDERACIÓN ESPAÑOLA DE VELA
XAVIER TORRES - SECRETARIO NACIONAL DE FUNBOARD

JUVENILES



CIRCUITO ESPAÑOL DE FUNBOARD 2010
 5º PRUEBA CEF - TENERIFE EL MÉDANO
 CLUB: CLUB WINDSURF 77
 El Médano - Granadilla de Abona, 17 y 18 de Julio
 Modalidad: Olas



REAL FEDERACIÓN ESPAÑOLA DE VELA
 XAVIER TORRES - SECRETARIO NACIONAL DE FUNBOARD

MASTERS

