

**CLASIFICACIÓN OLAS**

Pos	Cat.	Nombre	Núm. Vela	1	Total	Sponsors	Club	Federación
1	S	Víctor Fernández	E-42	0,7	0,7	Fanatic, North Sails, MFC, Quilsilver	CW Mar Azul	Andaluza
2	S	Daniel Bruch	E-181	2,0	2,0	Starboard, Severne, O'Neill, OTC, Flying Objects, AL360, CIND	Independiente	Canaria
3	S	Aleix Sanllehy	CAT-555	3,0	3,0	Goya Board & Sails, Oxbow, Surfera Gironina	CN Barcelona	Catalana
4	S	Dario Ojeda	E-211	4,0	4,0	Rrd, Simmer, Mormali, Dakine, Sant Bartolomé de Tirajana, Dr	Independiente	Canaria
5	S	Josep Pons	E-203	5,0	5,0	Simmer, Klierfish, ION	CE Surfera Gironina	Catalana
6	J	Alessio Stillrich	E-95	6,0	6,0	Fanatic, North Sails, Cutre, AL360, Animal	WAP	Catalana
7	S	Eleazar Alonso	E-41	7,0	7,0	Naish, Mormali, Lpwindsurf, Nissan, KingHogar	WAP	Catalana
7	S	José Romero	E-45	7,0	7,0	Neilpryde, JP Australia, LPWS, Oxbow, CocaCola	Independiente	Canaria
9	M	Pablo Ruiz	E-235	9,0	9,0	Klierfish, Simmer	WAP	Catalana
9	M	Javier Espin	E-509	9,0	9,0	-	WAP	Catalana
9	M	Marcos Pérez	E-7	9,0	9,0	Exocet, Gun Sails, Qúiko, Agüimes	WAP	Canaria
9	M	Michael Friedl	E-714	9,0	9,0	Seven Islands Film, 7ITeam	WAP	Catalana
13	S	Francisco Casas	E-80	13,0	13,0	Starboard, Goya Sails, MFC	CD Sureste Cabo de Gata	Andaluza
13	S	Omar Sánchez	E-33	13,0	13,0	Secret Sails, Reptil Masts, Sensi Lab Clothing	Independiente	Canaria
13	S	Sergi Aldea	E-25	13,0	13,0	Vandal, Surfeador Tarifa	CV Ventgrat	Catalana
13	S	Ramon Pastor	E-72	13,0	13,0	Tabou, Gaastra, Select, Buble, Prolimt, Al 360, Windparadise.c	CN Bétulo	Catalana
17	S	Eric Sanllehy	CAT-1111	17,0	17,0	Goya Board & Sails, Oxbow, Surfera Gironina	CN Barcelona	Catalana
17	J	Pablo Ramírez	E-244	17,0	17,0	Secret Sails, Hullon, Animal	EV Juan Carlos I	Canaria
17	J	Marc Paré	E-334	17,0	17,0	Rrd, Simmer, Quopiam	GEN Roses	Catalana
17	S	Jonás Ceballos	E-40	17,0	17,0	-	Independiente	Canaria
17	M	Fabio Chisari	E-144	17,0	17,0	-	CDW Pozo Compass	Canaria
17	M	Christian Ramusch	E-107	17,0	17,0	-	CW Mar Azul	Andaluza
17	S	Albert Pijoan	E-288	17,0	17,0	LPWS	CN Badalona	Catalana
17	S	Jose Luís Pinyana	E-24	17,0	17,0	Tabou, Gaastra, Windparadise.com	CN Vilassar	Catalana
25	S	Eric Duran	E-46	25,0	25,0	Goya, Quatro, MFC	WAP	Catalana
25	S	Gerard López	E-49	25,0	25,0	Tabou, Gaastra, Radz, Al360, Prolimit, Windparadise, PHB	CN Bétulo	Catalana
25	M	Jaume Juncà	E-73	25,0	25,0	Junca Suñer constructores, Quopiam, Sailsboard Girona	CN Port de la selva	Catalana
25	S	Javier Perdomo	E-128	25,0	25,0	-	WAP	Catalana
25	J	Moritz Mauch	E-103	25,0	25,0	North Sails, Club Mistral, Animal, Meanline	WAP	Catalana
25	M	Màrius Solà	E-79	25,0	25,0	Rrd, Ezy, Loft, Sailboards Tarifa&Girona, Kpsport, Sapse	CN Bétulo	Catalana
25	M	Xavier Torres	E-74	25,0	25,0	Naish board&Sails, Select, Quopiam	WAP	Catalana

**MÁSTER**

Pos	Cat.	Nombre	Núm. Vela	1	Total	Sponsors	Club	Federación
1	M	Marcos Pérez	E-7	0,7	0,7	Exocet, Gun Sails, Qúiko, Agüimes	WAP	Canaria
2	M	Christian Ramusch	E-107	2,0	2,0	-	CW Mar Azul	Andaluza
3	M	Michael Friedl	E-714	3,0	3,0	Seven Islands Film, 7ITeam	WAP	Catalana
4	M	Màrius Solà	E-79	4,0	4,0	Rrd, Ezy, Loft, Sailboards Tarifa&Girona, Kpsport, Sapse	CN Bétulo	Catalana
5	M	Xavier Torres	E-74	5,0	5,0	Naish board&Sails, Select, Quopiam	WAP	Catalana
5	M	Jaume Juncà	E-73	5,0	5,0	Junca Suñer constructores, Quopiam, Sailsboard Girona	CN Port de la selva	Catalana
5	M	Pablo Ruiz	E-235	5,0	5,0	Klierfish, Simmer	WAP	Catalana
5	M	Javier Espin	E-509	5,0	5,0	-	WAP	Catalana
9	M	Fabio Chisari	E-144	9,0	9,0	-	CDW Pozo Compass	Canaria

**JUVENIL**

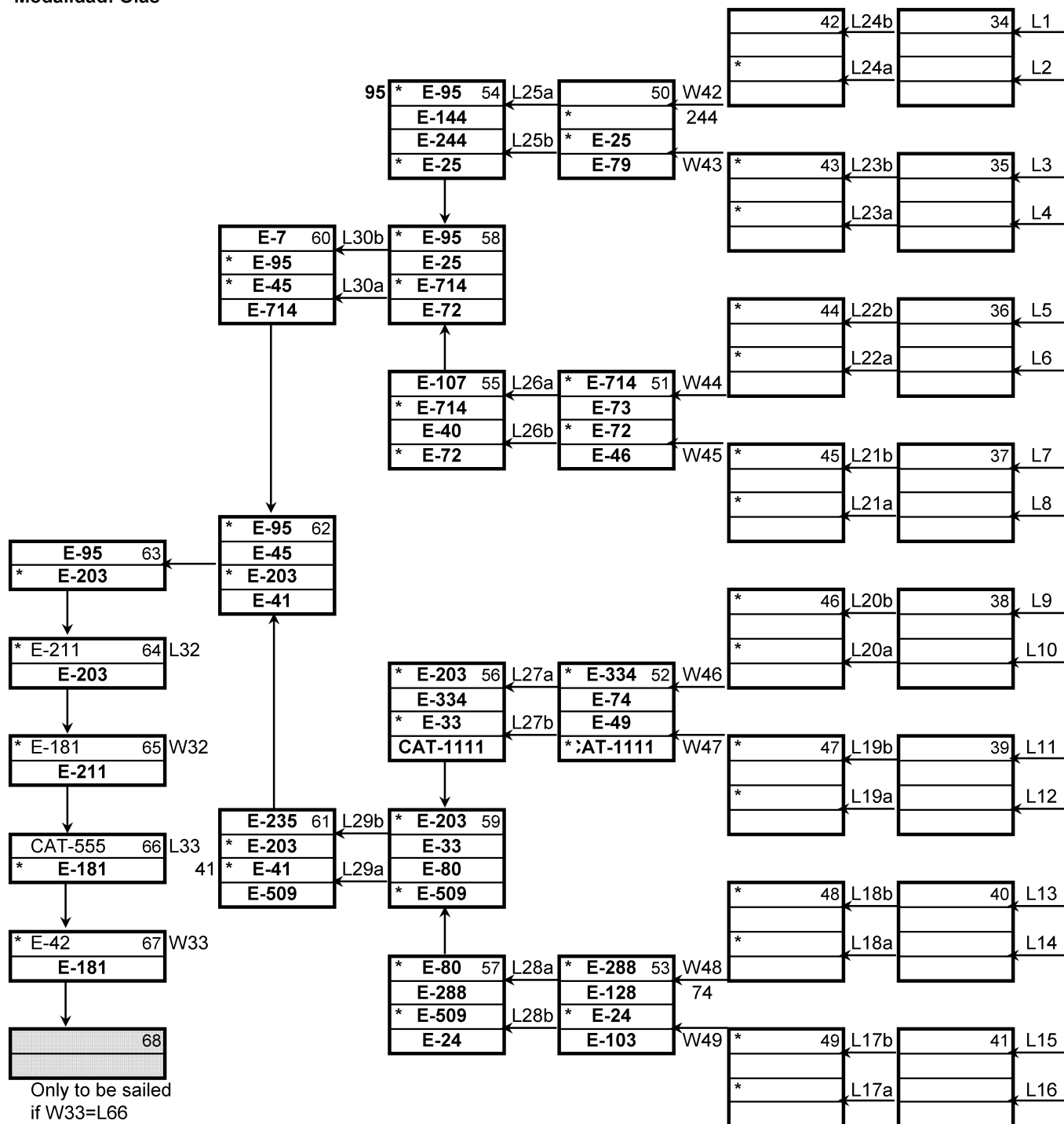
Pos	Cat.	Nombre	Núm. Vela	1	Total	Sponsors	Club	Federación
1	J	Alessio Stillrich	E-95	0,7	0,7	Fanatic, North Sails, Cutre, AL360, Animal	WAP	Catalana
2	J	Moritz Mauch	E-103	2,0	2,0	North Sails, Club Mistral, Animal, Meanline	WAP	Catalana
3	J	Pablo Ramírez	E-244	3,0	3,0	Secret Sails, Hullon, Animal	EV Juan Carlos I	Canaria
4	J	Marc Paré	E-334	4,0	4,0	Rrd, Simmer, Quopiam	GEN Roses	Catalana

**NOTAS**

\* Los descartes, D1 y D2, serán las 2 peores puntuaciones:

De 1 a 3 eliminatorias	0 descartes
De 4 a 6 eliminatorias	1 descarte
De 7 a 15 eliminatorias	2 descartes

CIRCUITO ESPAÑOL DE FUNBOARD 2011  
4º PRUEBA CEF - GRAN CANARIA POZO  
CLUB: CD WINDSURFING POZO COMPASS  
Pozo Izquierdo - Santa Lucía, 2 y 3 de Julio  
Modalidad: Olas



CIRCUITO ESPAÑOL DE FUNBOARD 2011  
4º PRUEBA CEF - GRAN CANARIA POZO  
CLUB: CD WINDSURFING POZO COMPASS  
Pozo Izquierdo - Santa Lucía, 2 y 3 de Julio  
Modalidad: Olas

