

CLASIFICACIÓN SLALOM

SENIOR

Pos.	Cat.	Nombre	Núm. Vela	1	2	3	4	5	6	D1	D2	Total	Sponsors	Club
1	M	Ludo Jossin	E-12	0,7	0,7	0,7	0,7	0,7		0,7		2,8	Patrik Boards, Loft Sails, Sooruz	Tarifa Windsurfing
2	S	Ramon Pastor	E-72	6,0	2,0	2,0	3,0	2,0		6,0		9,0	Tabou, Gaastra, AL360, Radz, Prolimit, Select, Bubel, Windpa	CN Bétulo
3	M	Fernando Martínez	E-71	2,0	12,0	3,0	4,0	3,0		12,0		12,0	Starboard, NP, Ozu Tarifa, B3, Bedandsurfarifa.com	CN Sevilla
4	M	Francisco Perez	E-444	4,0	5,0	5,0	2,0	33,0		33,0		16,0	North Sails, Eolo Windsurf	CD Sureste Cabo de Gata
5	M	Joanquim Rodés	E-32	15,0	3,0	6,0	8,0	6,0		15,0		23,0	Tabou, Gaastra, Windparadise.com	CN Bétulo
6	S	Pablo Ania	E-16	3,0	4,0	12,0	5,0	33,0		33,0		24,0	F2, North Sails, Sailboards Tarifa, Windcenterdenia	CW Burriana
7	S	Francisco Casas	E-80	7,0	13,0	7,0	6,0	7,0		13,0		27,0	-	CD Sureste Cabo de Gata
8	M	Alberto Casas	E-61	11,0	6,0	10,0	9,0	4,0		11,0		29,0	-	CD Sureste Cabo de Gata
9	M	Marius Solà	E-79	10,0	16,0	4,0	11,0	5,0		16,0		30,0	Rrd, Ezzy, Sailboards Tarifa, Sailboards Girona, GoPro	CN Bétulo
10	M	Ferran Recasens	CAT-401	33,0	7,0	13,0	7,0	12,0		33,0		39,0	Rrd, Simmer, Escola del Vent, Recasens Interiorisme	Catalana
11	S	Emilio Galindo	E-21	8,0	9,0	14,0	13,0	9,0		14,0		39,0	Sailboards Tarifa	CW Sancti Petri
12	M	Pierre Cloaguen	E-511	13,0	37,0	8,0	10,0	10,0		37,0		41,0	-	WAP
13	M	David Alegria	E-600	37,0	15,0	9,0	15,0	11,0		37,0		50,0	Excocet, XO Sails, Jaws Shop, Dynafiber, Streamlined	-
14	M	Miguel del Toro	E-52	14,0	10,0	25,0	37,0	8,0		37,0		57,0	Sailboards Tarifa	CW Mar Azul
15	M	Manuel Baldó	E-818	16,0	8,0	29,0	12,0	22,0		29,0		58,0	Tabou, Gaastra, AL360, Radz	Independiente
16	S	Javier Miras	E-253	24,0	11,0	11,0	25,0	16,0		25,0		62,0	Challenger Sails, Stunts	CD Sureste Cabo de Gata
17	S	José Luis Sánchez	E-1114	19,0	24,0	15,0	17,0	13,0		24,0		64,0	Fanatic, Badfish, Neoclima, Hierbabuen, Aventuraespacial	CN Trocadero
18	F	María Andrés	E-2F	12,0	18,0	25,0	25,0	17,0		25,0		72,0	Starboard, Gun Sails, Mystic, Ozu Tarifa, Satorisan, Bubel	CV Valdelagrana
19	M	Xavier Torres	E-74	20,0	19,0	16,0	18,0	28,0		28,0		73,0	Tabou, Simmer, Sailboards Girona, Windparadise.com	WAP
20	M	Jaume Juncà	E-73	25,0	17,0	17,0	16,0	28,0		28,0		75,0	Juncà Suñe Constructors	CN Port de la Selva
21	M	Jordi Julià	CAT-69	9,0	25,0	23,0	21,0	23,0		25,0		76,0	Tabou, Simmer, Sailboards Girona	WAP
22	M	Alex Carabí	E-4	17,0	14,0	36,0	14,0	33,0		36,0		78,0	Xtrimming.com	CN Badalona
23	J	Marc Paré	CAT-334	22,0	20,0	36,0	20,0	18,0		36,0		80,0	Rrd, Simmer, Sailboards Girona, Quopiam, EMC2	GEN Roses
24	M	Juan Alberto Bohajar	E-144	21,0	23,0	20,0	19,0	24,0		24,0		83,0	-	Windsurf Mar Menor
25	F	Marion Dusart	E-306	25,0	21,0	36,0	22,0	15,0		36,0		83,0	Rrd, Loft Sails, Zútee, Unifiber, Satorisan, Hotrer, Jaws Shop	CM Melilla
26	M	Frank Schuessler	GER-529	29,0	29,0	18,0	24,0	20,0		29,0		91,0	Gun Sails	CWMM Club Windsurf
27	M	Erik Schuneveld	E-324	25,0	22,0	21,0	25,0	25,0		25,0		93,0	OMA CO	Windsurfing Denia
28	M	Alberto Cuadrado	E-131	33,0	39,0	19,0	29,0	14,0		39,0		95,0	-	CD Sureste Cabo de Gata
29	J	Óscar Ánia	E-161	31,0	29,0	29,0	23,0	21,0		31,0		102,0	-	CW Burriana
30	J	Martí Roset	CAT-404	25,0	33,0	25,0	25,0	30,0		33,0		105,0	Windiscovery, CW Port de la Selva	Independiente
31	M	Alejandro Alcaraz	E-2	5,0	39,0	36,0	37,0	33,0		39,0		111,0	Fanatic, North Sails, Sailboards Tarifa, Wet Tarifa	C de Mar Puerto Sherry
32	M	Joan Paré	CAT-320	29,0	25,0	29,0	29,0	30,0		30,0		112,0	Rrd, Simmer, Sailboards Girona, Quopiam, EMC2	GEN Roses
33	M	Jose Fernández	E-042	18,0	25,0	36,0	37,0	33,0		37,0		112,0	-	CW Mar Azul
34	S	Liberto Amate	E-777	37,0	34,0	29,0	32,0	19,0		37,0		114,0	Carretilas Amates, Remolques Náuticos	CD Sureste Cabo de Gata
35	F	María Serena	E-177	37,0	37,0	24,0	32,0	25,0		37,0		118,0	Loft Sails, Hot Stick Tarifa	Independiente
36	S	Luis Catalán	E-503	24,0	29,0	34,0	36,0	33,0		36,0		120,0	Over Limit.org	WAP
37	M	Humberto Misa	E-835	37,0	39,0	22,0	37,0	25,0		39,0		121,0	-	CW Cullera
38	M	Jaime Andrés	E-85	37,0	25,0	36,0	29,0	33,0		37,0		123,0	-	CV Valdelagrana
39	S	Oliver Fernández	E-319	37,0	35,0	25,0	35,0	32,0		37,0		127,0	Simmer, www.windsurfshop.es	EV Sea Surf Patrol
40	M	Fco. José Magan	E-145	32,0	29,0	36,0	37,0	33,0		37,0		130,0	-	CD Sureste Cabo de Gata
41	M	Miguel Ángel Rioja	E-1110	33,0	39,0	33,0	32,0	33,0		39,0		131,0	Loft Sails, Jaws Shop, Academia Vetonia	CM Melilla
42	M	Francisco Mendoza	E-14	33,0	39,0	36,0	37,0	33,0		39,0		139,0	F3MP Consultores, Base Náutica Barcelona	Independiente
43	M	Eduardo López	E-808	37,0	39,0	34,0	37,0	33,0		39,0		141,0	Rrd, Loft Sails, Sailboard Tarifa	Independiente
44	M	Ángel Ortiz	E-137	37,0	35,0	36,0	37,0	33,0		37,0		141,0	-	CD Sureste Cabo de Gata
45	F	Anna Paré	CAT-330	37,0	39,0	36,0	37,0	33,0		39,0		143,0	Rrd, Simmer, Sailboards Girona, Quopiam, EMC2	GEN Roses
46	M	Juan Erades	E-923	37,0	39,0	36,0	37,0	33,0		39,0		143,0	-	Windsurf Santa Pola
47	M	Manuel Galindo	E-779	37,0	39,0	36,0	37,0	33,0		39,0		143,0	-	CD Sureste Cabo de Gata

MÁSTER

Pos.	Cat.	Nombre	Núm. Vela	1	2	3	4	5	D1	D2	Total	Sponsors	Club	
1	M	Ludo Jossin	E-12	0,7	0,7	0,7	0,7	0,7		0,7		2,8	Patrik Boards, Loft Sails, Sooruz	Tarifa Windsurfing
2	M	Fernando Martínez	E-71	2,0	12,0	3,0	4,0	3,0		12,0		12,0	Starboard, NP, Ozu Tarifa, B3, Bedandsurfarifa.com	CN Sevilla
3	M	Francisco Perez	E-444	4,0	5,0	5,0	2,0	33,0		33,0		16,0	North Sails, Eolo Windsurf	CD Sureste Cabo de Gata
4	M	Joanquim Rodés	E-32	15,0	3,0	6,0	8,0	6,0		15,0		23,0	Tabou, Gaastra, Windparadise.com	CN Bétulo
5	M	Alberto Casas	E-61	11,0	6,0	10,0	9,0	4,0		11,0		29,0	-	CD Sureste Cabo de Gata
6	M	Marius Solà	E-79	10,0	16,0	4,0	11,0	5,0		16,0		30,0	Rrd, Ezzy, Sailboards Tarifa, Sailboards Girona, GoPro	CN Bétulo
7	M	Ferran Recasens	CAT-401	33,0	7,0	13,0	7,0	12,0		33,0		39,0	Rrd, Simmer, Escola del Vent, Recasens Interiorisme	CN Bétulo
8	M	Pierre Cloaguen	E-511	13,0	37,0	8,0	10,0	10,0		37,0		41,0	-	WAP
9	M	David Alegria	E-600	37,0	15,0	9,0	15,0	11,0		37,0		50,0	Excocet, XO Sails, Jaws Shop, Dynafiber, Streamlined	-
10	M	Miguel del Toro	E-52	14,0	10,0	25,0	37,0	8,0		37,0		57,0	Sailboards Tarifa	CW Mar Azul
11	M	Manuel Baldó	E-818	16,0	8,0	29,0	12,0	22,0		29,0		58,0	Tabou, Gaastra, AL360, Radz	Independiente
12	M	Xavier Torres	E-74	20,0	19,0	16,0	18,0	28,0		28,0		73,0	Tabou, Simmer, Sailboards Girona, Windparadise.com	WAP
13	M	Jaume Juncà	E-73	25,0	17,0	17,0	16,0	28,0		28,0		75,0	Juncà Suñe Constructors	CN Port de la Selva
14	M	Jordi Julià	CAT-69	9,0	25,0	23,0	21,0	23,0		25,0		76,0	Tabou, Simmer, Sailboards Girona	WAP
15	M	Alex Carabí	E-4	17,0	14,0	36,0	14,0	33,0		36,0		78,0	Xtrimming.com	CN Badalona
16	M	Juan Alberto Bohajar	E-144	21,0	23,0	20,0	19,0	24,0		24,0		83,0	-	Windsurf Mar Menor
17	M	Frank Schuessler	GER-529	29,0	29,0	18,0	24,0	20,0		29,0		91,0	Gun Sails	CWMM Club Windsurf
18	M	Erik Schuneveld	E-324	25,0	22,0	21,0	25,0	25,0		25,0		93,0	OMA CO	Windsurfing Denia
19	M	Alberto Cuadrado	E-131	33,0	39,0	19,0	29,0	14,0		39,0		95,0	-	CD Sureste Cabo de Gata
20	M	Alejandro Alcaraz	E-2	5,0	39,0	36,0	37,0	33,0		39,0		111,0	Fanatic, North Sails, Sailboards Tarifa, Wet Tarifa	C de Mar Puerto Sherry
21	M	Joan Paré	CAT-320	29,0	25,0	29,0	29,0	30,0		30,0		112,0	Rrd, Simmer, Sailboards Girona, Quopiam, EMC2	GEN Roses
22	M	Jose Fernández	E-042	18,0	25,0	36,0	37,0	33,0		37,0		112,0	-	CW Mar Azul
23	M	Humberto Misa	E-835	37,0	39,0	22,0	37,0	25,0		39,0		121,0	-	CW Cullera
24	M	Jaime Andrés	E-85	37,0	25,0	36,0	29,0	33,0		37,0		123,0	-	CV Valdelagrana
25	M	Fco. José Magan	E-145	32,0	29,0	36,0	37,0	33,0		37,0		130,0	-	CD Sureste Cabo de Gata
26	M	Miguel Ángel Rioja	E-1110	33,0	39,0	33,0	32,0	33,0		39,0		131,0	Loft Sails, Jaws Shop, Academia Vetonia	CM Melilla
27	M	Francisco Mendoza	E-14	33,0	39,0	36,0	37,0	33,0		39,0		139,0	F3MP Consultores, Base Náutica Barcelona	Independiente
28	M	Eduardo López	E-808	37,0	39,0	34,0	37,0	33,0		39,0		141,0	Rrd, Loft Sails, Sailboard Tarifa	Independiente
29	M	Ángel Ortiz	E-137	37,0	35,0	36,0	37,0	33,0		37,0		141,0	-	CD Sureste Cabo de Gata
30	M	Juan Erades	E-923	37,0	39,0	36,0	37,0	33,0		39,0		143,0	-	Windsurf Santa Pola
31	M	Manuel Galindo	E-779	37,0	39,0	36,0	37,0	33,0		39,0		143,0	-	CD Sureste Cabo de Gata

JUVENIL

Pos.	Cat.	Nombre	Núm. Vela	1	2	3	4	5	D1	D2	Total	Sponsors	Club	
1	J	Marc Paré	CAT-334	22,0	20,0	36,0	20,0	18,0		36,0		80,0	Rrd, Simmer, Sailboards Girona, Quopiam, EMC2	GEN Roses
2	J	Óscar Ánia	E-161	31,0	29,0	29,0	23,0	21,0		31,0		102,0	-	CW Burriana
3	J	Martí Roset	CAT-404	25,0	33,0	25,0	25,0	30,0		33,0		105,0	Windiscovery, CW Port de la Selva	Independiente

FEMINA

Pos.	Cat.	Nombre	Núm. Vela	1	2	3	4	5	D1	D2	Total	Sponsors	Club	
1	F	María Andrés	E-2F	12,0	18,0	25,0	25,0	17,0		25,0		72,0	Starboard, Gun Sails, Mystic, Ozu Tarifa, Satorisan, Bubel	CV Valdelagrana
2	F	Marion Dusart	E-306	25,0	21,0	36,0	22,0	15,0		36,0		83,0	Rrd, Loft Sails, Zútee, Unifiber, Satorisan, Hotrer, Jaws Shop	CM Melilla
3	F	María Serena	E-177	37,0	37,0	24,0	32,0	25,0		37,0		118,0	Loft Sails, Hot Stick Tarifa	Independiente

NOTAS

* Los competidores no españoles no computan en el ranking del Circuito Español (Campeonato de España)

* Los descartes, D1 y D2, serán las 2 peores puntuaciones:

- De 1 a 3 eliminatorias 0 descartes
- De 4 a 6 eliminatorias 1 descartes
- De 7 a 15 eliminatorias 2 descartes

CIRCUITO ESPAÑOL DE FUNBOARD 2012
1º PRUEBA CEF ALMERIA - CULOPELLO
CLUB: CLUB WINDSURF MAR AZUL
Almeria - El Ejido, 5 al 8 de Abril
Slalom



REAL FEDERACIÓN ESPAÑOLA DE VELA
 SECRETARÍA NACIONAL DE FUNBOARD

5 de Abril

Eliminatoria: 1

1	E-14	11
2	E-334	4
3	CAT-404	7
4	E-52	5
5	E-1114	3
6	E-1110	11
7	E-131	11
8	E-042	6
9	E-12	1
10	E-2	2
11	E-401	11
12		

*Pasan: 6

1	E-319	12
2	E-835	12
3	E-818	2
4	E-21	5
5	E-73	7
6	E-779	12
7	G-529	8
8	E-600	12
9	E-16	3
10	E-511	1
11	E-61	4
12	E-80	6

*Pasan: 6

1	E-137	12
2	E-161	9
3	E-145	10
4	CAT-69	5
5	CAT-320	8
6	E-85	12
7	E-4	6
8	E-444	3
9	E-324	7
10	E-2F	4
11	E-71	1
12	E32	2

*Pasan: 6

1	E-177	12
2	E-777	12
3	E-253	4
4	CAT-330	12
5	E-923	12
6	E-503	6
7	E-808	12
8	E-306	7
9	E-144	3
10	E-74	5
11	E-79	2
12	E-72	1

*Pasan: 6

E-042		12
5	E-12	1
	E-2	2
	E-1114	8
	E-334	12
	E-52	12
	E-511	12
	E-818	7
	E-16	3
	E-61	4
	E-21	6
	E-80	5

*Pasan: 6

E-4		10
6	E-71	1
	E32	12
	E-444	4
	E-2F	6
	CAT-69	5
	E-72	3
	E-79	2
	E-144	7
	E-253	9
	E-74	8
	E-503	12

*Pasan: 6

FINAL B		
7	E-818	4
	E-1114	7
	E-334	10
	E-52	2
	E-511	1
	E-042	6
	E-144	9
	E-74	8
	E-253	12
	E-4	5
	E-503	12
	E32	3

FINAL A		
8	E-12	1
	E-2	5
	E-16	3
	E-61	11
	E-80	7
	E-21	8
	E-71	2
	E-79	10
	E-72	6
	E-444	4
	CAT-69	9
	E-2F	12

*

CIRCUITO ESPAÑOL DE FUNBOARD 2012
1º PRUEBA CEF ALMERIA - CULOPERRO
CLUB: CLUB WINDSURF MAR AZUL
Almeria - El Ejido, 5 al 8 de Abril
Slalom



REAL FEDERACIÓN ESPAÑOLA DE VELA
 SECRETARÍA NACIONAL DE FUNBOARD

5 de Abril

Eliminatoria: 2

1	1	E306	6
2		E808	12
3		E32	3
4		E324	4
5		E444	1
6		E4	5
7		E85	7
8		E779	12
9		G529	8
10		E61	2
11		E2	12
12		E1110	12

*Pasan: 6

1	2	E777	10
2		E404	9
3		E14	12
4		E334	6
5		E177	11
6		E21	4
7		E73	5
8		E145	8
9		E72	1
10		CAT320	7
11		E71	2
12		E80	3

*Pasan: 6

1	3	E1114	4
2		E818	2
3		E923	12
4		E52	1
5		E835	12
6		E503	8
7		E131	12
8		E042	7
9		E2F	5
10		E253	6
11		CAT330	12
12		E401	3

*Pasan: 6

1	4	E511	11
2		E16	2
3		E600	5
4		E319	11
5		E137	11
6		E161	8
7		E144	4
8		E74	6
9		E79	3
10		CAT69	7
11		E12	1
12			

*Pasan: 6

E306		10
5	E444	4
	E61	3
	E32	1
	E324	11
	E4	8
	E72	2
	E71	6
	E80	7
	E21	5
	E73	9
	E334	12

*Pasan: 6

E253		6
6	E52	5
	E818	4
	E401	3
	E1114	12
	E2F	9
	E12	1
	E16	2
	E79	10
	E144	8
	E600	7
	E74	11

*Pasan: 6

FINAL B		
7	E80	1
	E4	2
	E73	5
	E306	9
	E324	10
	E334	8
	E600	3
	E144	11
	E2F	6
	E79	4
	E74	7
	E1114	12

FINAL A		
8	E32	3
	E72	2
	E61	6
	E444	5
	E21	9
	E71	12
	E12	1
	E16	4
	E401	7
	E818	8
	E52	10
	E253	11

*

CIRCUITO ESPAÑOL DE FUNBOARD 2012
1º PRUEBA CEF ALMERIA - CULOPERRO
CLUB: CLUB WINDSURF MAR AZUL
Almeria - El Ejido, 5 al 8 de Abril
Slalom



REAL FEDERACIÓN ESPAÑOLA DE VELA
 SECRETARÍA NACIONAL DE FUNBOARD

7 de Abril

Eliminatoria: 3

1	1	E177	6
2		E777	8
3		E503	11
4		E808	11
5		CAT404	7
6		E1114	4
7		E1110	9
8		E131	3
9		E80	1
10		E71	2
11		E144	5
12			

*Pasan: 6

1	2	E818	8
2		E21	6
3		E4	12
4		E306	12
5		E334	12
6		E52	7
7		E042	12
8		E401	4
9		E61	5
10		E444	3
11		E32	2
12		E72	1

*Pasan: 6

1	3	E14	12
2		E319	7
3		E835	6
4		CAT320	8
5		E85	12
6		CAT330	12
7		E253	4
8		E12	1
9		E2	12
10		E511	2
11		E324	5
12		E79	3

*Pasan: 6

1	4	E73	3
2		E779	12
3		G529	6
4		E600	4
5		E137	12
6		E161	8
7		E145	12
8		CAT69	5
9		E923	12
10		E16	1
11		E2F	7
12		E74	2

*Pasan: 6

E177		11
5	E80	4
	E71	1
	E131	9
	E1114	7
	E144	10
	E72	5
	E32	3
	E444	2
	E401	12
	E61	6
	E21	8

*Pasan: 6

E835		11
6	E12	1
	E511	4
	E79	3
	E253	5
	E324	12
	E16	2
	E74	10
	E73	8
	E600	6
	CAT69	7
	G529	9

*Pasan: 6

FINAL B		
7	E1114	3
	E21	2
	E131	7
	E144	8
	E177	12
	E401	1
	CAT69	11
	E73	5
	G529	6
	E74	4
	E835	10
	E324	9

FINAL A		
8	E71	3
	E444	5
	E32	6
	E80	7
	E72	2
	E61	10
	E12	1
	E16	12
	E79	4
	E511	8
	E253	11
	E600	9

*

CIRCUITO ESPAÑOL DE FUNBOARD 2012
1º PRUEBA CEF ALMERIA - CULOPERRO
CLUB: CLUB WINDSURF MAR AZUL
Almeria - El Ejido, 5 al 8 de Abril
Slalom



REAL FEDERACIÓN ESPAÑOLA DE VELA
 SECRETARÍA NACIONAL DE FUNBOARD

7 de Abril

Eliminatoria: 4

1	1	E923	12
2		CAT330	12
3		E779	12
4		E145	12
5		E511	4
6		CAT324	7
7		E306	6
8		CAT401	2
9		E4	3
10		E52	12
11		E21	5
12		E16	1

*Pasan: 6

1	2	E835	12
2		E319	10
3		E777	9
4		E161	5
5		E85	8
6		E503	11
7		E144	4
8		CAT334	6
9		E253	7
10		E79	2
11		E61	1
12		E444	3

*Pasan: 6

1	3		
2		E1110	9
3		E14	12
4		G529	4
5		CAT404	7
6		CATE320	8
7		E042	12
8		E73	5
9		E74	6
10		E818	3
11		E32	2
12		E72	1

*Pasan: 6

1	4	E808	12
2		E177	9
3		E137	12
4		E131	8
5		E600	6
6		E2F	7
7		E1114	4
8		CAT69	5
9		E2	12
10		E80	3
11		E71	2
12		E12	1

*Pasan: 6

E306			9
5	E16		1
	CAT401		2
	E4		8
	E511		6
	E21		7
	E61		4
	E79		5
	E444		3
	E144		10
	E161		12
	CAT334		11

*Pasan: 6

E74			12
6	E72		4
	E32		3
	E818		6
	G529		11
	E73		9
	E12		1
	E71		2
	E80		5
	E1114		8
	CAT69		10
	E600		7

*Pasan: 6

FINAL B		
7	E21	1
	E4	2
	E306	10
	E144	7
	CAT334	8
	E161	11
	E600	3
	E1114	5
	E73	4
	CAT69	9
	G529	12
	E74	6

FINAL A		
8	E16	5
	CAT401	7
	E444	2
	E61	9
	E79	11
	E511	10
	E12	1
	E71	4
	E32	8
	E72	3
	E80	6
	E818	12

*

CIRCUITO ESPAÑOL DE FUNBOARD 2012
1º PRUEBA CEF ALMERIA - CULOPERRO
CLUB: CLUB WINDSURF MAR AZUL
Almeria - El Ejido, 5 al 8 de Abril
Slalom



REAL FEDERACIÓN ESPAÑOLA DE VELA
 SECRETARÍA NACIONAL DE FUNBOARD

7 de Abril

Eliminatoria: 5

1	1	E306	5
2		E923	12
3		CAT330	12
4		E779	12
5		E131	6
6		E511	3
7		E324	7
8		E4	12
9		E2F	4
10		E80	2
11		E72	1
12			

*Pasan: 6

1	2	E145	12
2		E835	7
3		E1110	12
4		E145	12
5		G529	6
6		CAT320	9
7		CAT401	4
8		E73	8
9		E253	5
10		E818	2
11		E21	3
12		E12	1

*Pasan: 6

1	3	E61	4
2		E319	10
3		E177	7
4		CAT404	9
5		E503	12
6		E600	3
7		E144	5
8		CAT334	6
9		E74	8
10		E79	1
11		E32	2
12		E444	12

*Pasan: 6

1	4	E777	6
2		E808	12
3		E137	12
4		E161	5
5		E85	12
6		E2	12
7		E042	12
8		E1114	2
9		CAT69	4
10		E52	3
11		E71	1
12		E161	12

*Pasan: 6

E131			10
5	E72		3
	E80		4
	E511		6
	E2F		8
	E306		11
	E12		1
	E818		7
	E21		5
	CAT401		2
	E253		9
	G529		12

*Pasan: 6

CAT334			12
6	E79		4
	E32		1
	E600		5
	E61		3
	E144		11
	E71		2
	E1114		9
	E52		6
	CAT69		7
	E161		8
	E777		10

*Pasan: 6

FINAL B		
7	E818	10
	E2F	5
	E253	4
	E131	2
	E306	3
	G529	8
	CAT69	11
	E161	9
	E1114	1
	E777	7
	E144	12
	CAT334	6

FINAL A		
8	E12	1
	CAT401	12
	E72	2
	E80	7
	E21	9
	E511	10
	E32	6
	E71	3
	E61	4
	E79	5
	E600	11
	E52	8

*

CLASIFICACIÓN OLAS

SENIOR

Pos.	Cat.	Nombre	Núm. Vela	Puntos	Sponsors	Club	
1	S	Ramon Pastor	E-72	0,2	Tabou, Gaastra, AL360, Radz, Prolimit, Select, Bubel, Windparadise.com	CN Bétulo	Catalana
2	M	Francisco Perez	E-444	2,0	North Sails, Eolo Windsurf	CD Sureste Cabo de Gata	Andaluz
3	M	Ludo Jossin	E-12	3,0	Patrik Boards, Loft Sails, Söoruz	Tarifa Windsurfing	Andaluz
4	M	Ferran Recasens	CAT-401	4,0	Rrd, Simmer, Escola del Vent, Recasens Inreriorisme	CN Bétulo	Catalana
5	S	Pablo Pastor	E-734	5,0	Loft Sails, Sailboards Tarifa, Hot Stick Tarifa, Playsafe, Dentista-Ortodentista.com	Independiente	Andaluz
6	S	Pablo Gonzalbez	E-955	6,0	-	CW Mar Azul	Andaluz
7	M	Jaume Juncà	E-73	7,0	Juncà Suñe Constructors	CN Port de la Selva	Catalana
7	M	Manuel Baldo	E-818	7,0	Tabou, Gaastra, AL360, Radz	Independiente	Andaluz
9	M	Marius Sola	E-79	9,0	Rrd, Ezzy, Sailboards Tarifa, Sailboards Girona, GoPro	CN Bétulo	Catalana
9	M	Miguel del Toro	E-52	9,0	Sailboards Tarifa	CW Mar Azul	Andaluz
9	S	Francisco Casas	E-80	9,0	-	CD Sureste Cabo de Gata	Andaluz
9	M	Augusto Teixeira	P-131	9,0	Starboard	Windsurf Portugal	Portugal
13	M	Fernando Martínez	E-71	13,0	Starboard, NP, Ozu Tarifa, B3, Bedandsurftarifa.com	CN Sevilla	Andaluz
13	M	Pierre Cloaguen	E-511	13,0	-	WAP	Catalana
13	S	Emilio Galindo	E-770	13,0	Sailboards Tarifa	CW Sancti Petri	Andaluz
13	M	Jose Fernández	E-042	13,0	-	CW Mar Azul	Andaluz
17	J	Marc Paré	CAT-334	17,0	Rrd, Simmer, Sailboards Girona, Quopiam, EMC2	GEN Roses	Catalana
17	J	Martí Roset	CAT-404	17,0	Windiscovery, CW Port de la Selva	Independiente	Catalana
17	M	Alberto Cuadrado	E-131	17,0	-	CD Sureste Cabo de Gata	Andaluz
17	M	Juan Alberto Bohajar	E-144	17,0	-	Windsurf Mar Menor	Murciana
17	M	David Alegria	E-600	17,0	Exocet, XO Sails, Jaws Shop, Dynafiber, Streamlined	-	Murciana
17	S	Javier Miras	E-253	17,0	Challenger Sails, Stunts	CD Sureste Cabo de Gata	Andaluz
17	S	Pablo Ania	E-16	17,0	F2, North Sails, Sailboards Tarifa, Windcenterdenia	CW Burriana	Valenciana
24	F	Maria Andres	E-2	24,0	Starboard, Gun Sails, Mystic, Ozu Tarifa, Satorisan, Bubel	CV Valdelagrana	Andaluz
24	M	Alex Carabi	E-4	24,0	Xtrimming.com	CN Badalona	Catalana
24	F	Maria Serena	E-177	24,0	Loft Sails, Hot Stick Tarifa	Independiente	Andaluz
24	S	Liberto Amate	E-777	24,0	Carretillas Amates, Remolques Náuticos	CD Sureste Cabo de Gata	Andaluz
24	F	Marie Perello	F-48	24,0	Escola del Vent, Recasens Inreriorisme	HWO	Francia
24	M	Xavier Torres	E-74	24,0	Tabou, Simmer, Sailboards Girona, Windparadise.com	WAP	Catalana
24	S	Victor Labañera	E-189	24,0	Challenger	Windsurf Santa Pola	Valenciana

MÁSTER

Pos.	Cat.	Nombre	Núm. Vela	Puntos	Sponsors	Club	
1	M	Francisco Perez	E-444	0,2	North Sails, Eolo Windsurf	CD Sureste Cabo de Gata	Andaluz
2	M	Ludo Jossin	E-12	2,0	Patrik Boards, Loft Sails, Söoruz	Tarifa Windsurfing	Andaluz
3	M	Ferran Recasens	CAT-401	3,0	Rrd, Simmer, Escola del Vent, Recasens Inreriorisme	CN Bétulo	Catalana
4	M	Jaume Juncà	E-73	4,0	Juncà Suñe Constructors	CN Port de la Selva	Catalana
4	M	Manuel Baldo	E-818	4,0	Tabou, Gaastra, AL360, Radz	-	Andaluz
6	M	Marius Solà	E-79	6,0	Rrd, Ezzy, Sailboards Tarifa, Sailboards Girona, GoPro	CN Bétulo	Catalana
6	M	Miguel del Toro	E-52	6,0	Sailboards Tarifa	CW Mar Azul	Andaluz
6	M	Augusto Teixeira	P-131	6,0	Starboard	Windsurf Portugal	Portugal
9	M	Fernando Martínez	E-71	9,0	Starboard, NP, Ozu Tarifa, B3, Bedandsurftarifa.com	CN Sevilla	Andaluz
9	M	Pierre Cloaguen	E-511	9,0	-	WAP	Catalana
9	M	Jose Fernández	E-042	9,0	-	CW Mar Azul	Andaluz
12	M	Alberto Cuadrado	E-131	12,0	-	CD Sureste Cabo de Gata	Andaluz
12	M	Juan Alberto Bohajar	E-144	12,0	-	Windsurf Mar Menor	Murciana
12	M	David Alegria	E-600	12,0	Exocet, XO Sails, Jaws Shop, Dynafiber, Streamlined	-	Murciana
15	M	Xavier Torres	E-74	15,0	Tabou, Simmer, Sailboards Girona, Windparadise.com	WAP	Catalana
15	M	Alex Carabi	E-4	15,0	Xtrimming.com	CN Badalona	Catalana

JUVENIL

Pos.	Cat.	Nombre	Núm. Vela	Puntos	Sponsors	Club	
1	J	Marc Paré	CAT-334	0,2	Rrd, Simmer, Sailboards Girona, Quopiam, EMC2	GEN Roses	Catalana
2	J	Martí Roset	CAT-404	1,0	Windiscovery, CW Port de la Selva	Independiente	Catalana

FÉMINAS

Pos.	Cat.	Nombre	Núm. Vela	Puntos	Sponsors	Club	
1	F	María Andrés	E-2	0,2	Starboard, Gun Sails, Mystic, Ozu Tarifa, Satorisan, Bubel	CV Valdelagrana	Andaluz
2	F	Marie Perelló	F-48	1,0	Escola del Vent, Recasens Inreriorisme	HWO	Francia
3	F	María Serena	E-177	3,0	Loft Sails, Hot Stick Tarifa	Independiente	Andaluz

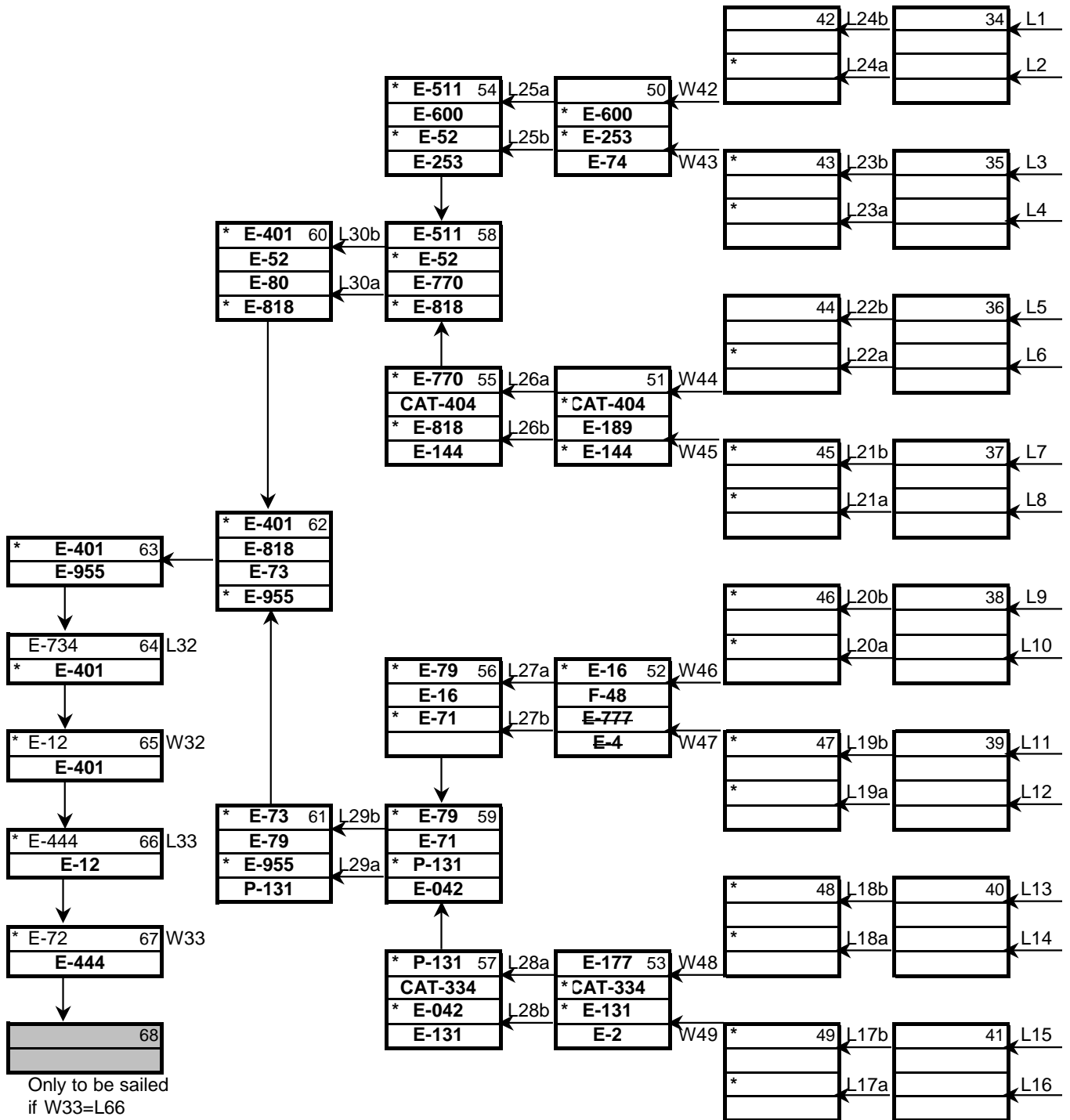
NOTAS

* Los competidores no españoles no computan en el ranking del Circuito Español (Campeonato de España)

CIRCUITO ESPAÑOL DE FUNBOARD 2012
1º PRUEBA CEF ALMERIA - CULOPELLO
CLUB: CLUB WINDSURF MAR AZUL
 Almeria - El Ejido, 5 al 8 de Abril
 Olas



REAL FEDERACIÓN ESPAÑOLA DE VELA
 SECRETARÍA NACIONAL DE FUNBOARD



CIRCUITO ESPAÑOL DE FUNBOARD 2012
1º PRUEBA CEF ALMERIA - CULOPELLO
CLUB: CLUB WINDSURF MAR AZUL
 Almeria - El Ejido, 5 al 8 de Abril
 Olas



REAL FEDERACIÓN ESPAÑOLA DE VELA
 SECRETARÍA NACIONAL DE FUNBOARD

