

CLASIFICACIÓN SLALOM

SENIOR															
Pos.	Cat.	Nombre	Núm. Vela	1	2	3	4	5	6	D1	D2	Total	Sponsors	Club	
1	S	Pablo Ania	E-16	2,0	0,7	0,7	0,7			2,0		2,1	F2, North Sails, Windcenterdenia, Gregor Fins, Infisport, Virg	CW Burriana	Valenciana
2	S	Ramon Pastor	E-72	0,7	3,0	2,0	2,0			3,0		4,7	Tabou, Gaastra, AL360, Radz, Prolimit, Select, Bubei, Windp	CN Bétulo	Catalana
3	M	Joanquím Rodés	E-32	4,0	2,0	5,0	6,0			6,0		11,0	Tabou, Gaastra, Windparadise.com	CN Bétulo	Catalana
4	S	Francisco Casas	E-611	3,0	5,0	6,0	5,0			6,0		13,0	-	CD Sureste Cabo de Gata	Andaluza
5	M	Alberto Casas	E-61	6,0	11,0	3,0	4,0			11,0		13,0	Eolo Windsurf	CD Sureste Cabo de Gata	Andaluza
6	M	Ferran Recasens	E-401	5,0	7,0	4,0	10,0			10,0		16,0	Rrd, Simmer, Escola del Vent, Recasens Inreriorisme	CN Bétulo	Catalana
7	M	Francisco Perez	E-444	7,0	6,0	33,0	3,0			33,0		16,0	North Sails, Eolo Windsurf	CD Sureste Cabo de Gata	Andaluza
8	M	Marius Solà	E-79	8,0	4,0	11,0	7,0			11,0		19,0	Rrd, Ezzy, Sailboards Tarifa, Sailboards Girona, GoPro	CN Bétulo	Catalana
9	S	Emilio Galindo	E-21	25,0	12,0	7,0	8,0			25,0		27,0	Simmer, Sailboards Tarifa	CW Sancti Petri	Andaluza
10	F	María Andrés	E-2	10,0	9,0	13,0	12,0			13,0		31,0	Starboard, Gun Sails, Mystic, Aeron, Ozu Tarifa, Satorisan, B	CV Valdelagrana	Andaluza
11	S	Javier Miras	E-253	13,0	18,0	9,0	13,0			18,0		35,0	Challenger Sails, Stunts Cartagena	CD Sureste Cabo de Gata	Andaluza
12	M	Jordi Julià	CAT-69	9,0	16,0	17,0	11,0			17,0		36,0	Tabou, Simmer, Sailboards Girona	WAP	Catalana
13	M	David Alegría	E-600	20,0	8,0	25,0	9,0			25,0		37,0	Exocet, XO Sails, Jaws Shop, Dynafiber, Streamlined	Independiente	Murciana
14	M	Xavier Torres	E-74	11,0	15,0	14,0	14,0			15,0		39,0	Tabou, Simmer, Sailboards Girona, Quopiam, EMC2	WAP	Catalana
15	J	Marc Paré	CAT-334	25,0	10,0	16,0	21,0			25,0		47,0	Rrd, Simmer, Sailboards Girona, Quopiam, EMC2	GEN Roses	Catalana
16	F	Marion Dusart	E-306	21,0	14,0	12,0	25,0			25,0		47,0	Rrd, Loft Sails, Unifiber, Jaws Shop, Hot Mer Surf Shop, Züte	CM Melilla	Melillense
17	M	Jaume Juncà	E-73	23,0	24,0	10,0	16,0			24,0		49,0	Simmer, Sailboards Girona, Juncà Suñe Constructors	CN Port de la Selva	Valenciana
18	M	Alex Carabí	E-4	25,0	24,0	8,0	20,0			25,0		52,0	Xtrimming.com	CN Badalona	Catalana
19	J	Óscar Ánia	E-161	25,0	13,0	33,0	15,0			33,0		53,0	Sailboards Tarifa	CW Burriana	Valenciana
20	M	Erik Schuneveld	E-324	20,0	17,0	21,0	21,0			21,0		58,0	OMA CO	Windsurfing Denia	Valenciana
22	M	José F. Murcia	E-1100	20,0	20,0	25,0	18,0			25,0		58,0	Jaws Shop,	CN Mar Menor Los Alcázars	Murciana
20	M	Juan Alberto Bohajar	E-144	21,0	21,0	20,0	17,0			21,0		58,0	-	Windsurf Mar Menor	Murciana
23	S	Aberto Sempere	E-967	20,0	24,0	15,0	33,0			33,0		59,0	Challenger Sails, Stunts Cartagena	Windsurf Santa Pola	Valenciana
24	S	Oliver Fernández	E-319	20,0	21,0	33,0	19,0			33,0		60,0	Simmer, www.windsurfshop.es	EV Sea Surf Patrol	Valenciana
26	M	Fco. José Magan	E-145	20,0	24,0	19,0	33,0			33,0		63,0	-	CD Sureste Cabo de Gata	Andaluza
25	M	Humberto Misa	E-835	25,0	24,0	18,0	21,0			25,0		63,0	-	CW Cullera	Valenciana
27	M	Jaime Andrés	E-85	20,0	24,0	21,0	33,0			33,0		65,0	-	CV Valdelagrana	Andaluza
28	M	Miguel Ángel Rioja	E-1110	25,0	21,0	21,0	25,0			25,0		67,0	Loft Sails, Jaws Shop, Academia Vetonía	CM Melilla	Melillense
29	M	Joan Paré	CAT-320	25,0	24,0	31,0	21,0			31,0		70,0	Rrd, Simmer, Sailboards Girona, Quopiam, EMC2	GEN Roses	Catalana
29	M	Juan Erades	E-923	25,0	24,0	21,0	31,0			31,0		70,0	-	Windsurf Santa Pola	Valenciana
31	S	Cesar Palazón	E-186	25,0	19,0	28,0	29,0			29,0		72,0	XO Sails, Jaws Shop	CN Mar Menor Los Alcázars	Murciana
32	M	Francisco Mendoza	E-14	25,0	24,0	25,0	25,0			25,0		74,0	F3MP Consultores, Base Náutica Barcelona	Independiente	Catalana
33	M	Dimitri Jahard	E-285	25,0	24,0	28,0	25,0			28,0		74,0	Windcenterdenia, Gata Quiropráctica	Windsurfing Denia	Valenciana
34	F	María Serena	E-177	23,0	24,0	28,0	29,0			29,0		75,0	Loft Sails, Hot Stick Tarifa, No Wind No Life	Independiente	Andaluza
35	M	Daniel Roman	E-236	25,0	24,0	31,0	31,0			31,0		80,0	Challenger Sails, Stunts Cartagena	CW Mar Menor	Murciana
36	M	Manuel Galindo	E-779	25,0	24,0	33,0	33,0			33,0		82,0	-	CD Sureste Cabo de Gata	Andaluza

MASTER															
Pos	Cat.	Nombre	Núm. Vela	1	2	3	4	5		D1	D2	Total	Sponsors	Club	
1	M	Joanquím Rodés	E-32	4,0	2,0	5,0	6,0			6,0		11,0	Tabou, Gaastra, Windparadise.com	CN Bétulo	Catalana
2	M	Alberto Casas	E-61	6,0	11,0	3,0	4,0			11,0		13,0	Eolo Windsurf	CD Sureste Cabo de Gata	Andaluza
4	M	Ferran Recasens	E-401	5,0	7,0	4,0	10,0			10,0		16,0	Rrd, Simmer, Escola del Vent, Recasens Inreriorisme	CN Bétulo	Catalana
3	M	Francisco Perez	E-444	7,0	6,0	33,0	3,0			33,0		16,0	North Sails, Eolo Windsurf	CD Sureste Cabo de Gata	Andaluza
5	M	Marius Solà	E-79	8,0	4,0	11,0	7,0			11,0		19,0	Rrd, Ezzy, Sailboards Tarifa, Sailboards Girona, GoPro	CN Bétulo	Catalana
6	M	Jordi Julià	CAT-69	9,0	16,0	17,0	11,0			17,0		36,0	Tabou, Simmer, Sailboards Girona	WAP	Catalana
7	M	David Alegría	E-600	20,0	8,0	25,0	9,0			25,0		37,0	Exocet, XO Sails, Jaws Shop, Dynafiber, Streamlined	Independiente	Murciana
8	M	Xavier Torres	E-74	11,0	15,0	14,0	14,0			15,0		39,0	Tabou, Simmer, Sailboards Girona, Windparadise.com	WAP	Catalana
9	M	Jaume Juncà	E-73	23,0	24,0	10,0	16,0			24,0		49,0	Simmer, Sailboards Girona, Juncà Suñe Constructors	CN Port de la Selva	Catalana
10	M	Alex Carabí	E-4	25,0	24,0	8,0	20,0			25,0		52,0	Xtrimming.com	CN Badalona	Catalana
11	M	Erik Schuneveld	E-324	20,0	17,0	21,0	21,0			21,0		58,0	OMA CO	Windsurfing Denia	Valenciana
12	M	José F. Murcia	E-1100	20,0	20,0	25,0	18,0			25,0		58,0	Jaws Shop,	CN Mar Menor Los Alcázars	Murciana
13	M	Juan Alberto Bohajar	E-144	21,0	21,0	20,0	17,0			21,0		58,0	-	Windsurf Mar Menor	Murciana
15	M	Fco. José Magan	E-145	20,0	24,0	19,0	33,0			33,0		63,0	-	CD Sureste Cabo de Gata	Andaluza
14	M	Humberto Misa	E-835	25,0	24,0	18,0	21,0			25,0		63,0	-	CW Cullera	Valenciana
16	M	Jaime Andrés	E-85	20,0	24,0	21,0	33,0			33,0		65,0	-	CV Valdelagrana	Andaluza
17	M	Miguel Ángel Rioja	E-1110	25,0	21,0	21,0	25,0			25,0		67,0	Loft Sails, Jaws Shop, Academia Vetonía	CM Melilla	Melillense
18	M	Joan Paré	CAT-320	25,0	24,0	31,0	21,0			31,0		70,0	Rrd, Simmer, Sailboards Girona, Quopiam, EMC2	GEN Roses	Catalana
18	M	Juan Erades	E-923	25,0	24,0	21,0	31,0			31,0		70,0	-	Windsurf Santa Pola	Valenciana
20	M	Francisco Mendoza	E-14	25,0	24,0	25,0	25,0			25,0		74,0	F3MP Consultores, Base Náutica Barcelona	Independiente	Catalana
21	M	Dimitri Jahard	E-285	25,0	24,0	28,0	25,0			28,0		74,0	Windcenterdenia, Gata Quiropráctica	Windsurfing Denia	Valenciana
22	M	Daniel Roman	E-236	25,0	24,0	31,0	31,0			31,0		80,0	-	CW Mar Menor	Murciana
23	M	Manuel Galindo	E-779	25,0	24,0	33,0	33,0			33,0		82,0	-	CD Sureste Cabo de Gata	Andaluza

JUVENIL															
Pos	Cat.	Nombre	Núm. Vela	1	2	3	4	5		D1	D2	Total	Sponsors	Club	
1	J	Marc Paré	CAT-334	25,0	10,0	16,0	21,0			25,0		47,0	Rrd, Simmer, Sailboards Girona, Quopiam, EMC2	GEN Roses	Catalana
2	J	Óscar Ánia	E-161	25,0	13,0	33,0	15,0			33,0		53,0	Sailboards Tarifa	CW Burriana	Valenciana

FÉMINA															
Pos	Cat.	Nombre	Núm. Vela	1	2	3	4	5		D1	D2	Total	Sponsors	Club	
1	F	María Andrés	E-2	10,0	9,0	13,0	12,0			13,0		31,0	Starboard, Gun Sails, Mystic, Aeron, Ozu Tarifa, Satorisan, B	CV Valdelagrana	Andaluza
2	F	Marion Dusart	E-306	21,0	14,0	12,0	25,0			25,0		47,0	Rrd, Loft Sails, Unifiber, Jaws Shop, Hot Mer Surf Shop, Züte	CM Melilla	Melillense
3	F	María Serena	E-177	23,0	24,0	28,0	29,0			29,0		75,0	Loft Sails, Hot Stick Tarifa, No Wind No Life	Independiente	Andaluza

NOTAS

* Los competidores no españoles no computan en el ranking del Circuito Español (Campeonato de España)

* Los descartes, D1 y D2, serán las 2 peores puntuaciones:

- De 1 a 3 eliminatorias 0 descartes
- De 4 a 6 eliminatorias 1 descartes
- De 7 a 15 eliminatorias 2 descartes

CIRCUITO ESPAÑOL DE FUNBOARD 2012
2º PRUEBA CEF MURCIA - LA4SIETE
CLUB: CLUB NÁUTICO MAR MENOR LOS ALCÁZARES
Murcia - Los Alcázares, 28 al 30 de Abril
Slalom



REAL FEDERACIÓN ESPAÑOLA DE VELA
 SECRETARÍA NACIONAL DE FUNBOARD

28 de Abril

Eliminatoria: 1

1	E32	1
2	E79	2
3	E253	4
4	E73	7
5	E144	6
6	CAT320	ns
7	E145	5
8	E923	ns
9	E967	3
10		
11		
12		

*Pasan: 5

1	E444	1
2	E61	2
3	E600	3
4	CAT69	4
5	E306	6
6	E177	7
7	E319	5
8	E779	ns
9	E236	ns
10		
11		
12		

*Pasan: 5

1	E16	2
2	E611	1
3	E2	4
4	E74	3
5	E324	5
6	E161	ns
7	E1110	ns
8	E14	ns
9	E186	ns
10		
11		
12		

*Pasan: 5

1	E72	1
2	E401	2
3	E21	ns
4	E401	ns
5	CAT334	3
6	E835	ns
7	E85	4
8	E285	ns
9	E1100	5
10		
11		
12		

*Pasan: 5

5	E32	1
	E79	3
	E967	7
	E253	6
	E145	ns
	E444	2
	E61	5
	E600	ns
	CAT69	4
	E319	8

*Pasan: 5

6	E611	2
	E16	1
	E74	ns
	E2	5
	E324	6
	E72	3
	E401	4
	CAT334	ns
	E85	ns
	E1100	ns

*Pasan: 5

FINAL B		
7	E967	
	E319	
	E253	3
	E145	
	E600	
	E74	1
	CAT334	2
	E324	
	E-85	
	E-1100	

FINAL A		
8	E32	4
	E444	7
	E79	8
	CAT69	9
	E61	6
	E16	2
	E611	3
	E72	1
	E401	5
	E2	10

*

CIRCUITO ESPAÑOL DE FUNBOARD 2012
2º PRUEBA CEF MURCIA - LA4SIETE
CLUB: CLUB NÁUTICO MAR MENOR LOS ALCÁZARES
Murcia - Los Alcázares, 28 al 30 de Abril
Slalom



REAL FEDERACIÓN ESPAÑOLA DE VELA
 SECRETARÍA NACIONAL DE FUNBOARD

28 de Abril

Eliminatoria: 2

1	E611	1
2	E61	2
3	CAT334	5
4	E319	6
5	E177	ns
6	E161	4
7	E85	ns
8	E21	3
9	E73	ns
10		
11		
12		

*Pasan: 5

1	E16	1
2	E444	2
3	E74	4
4	E324	5
5	E923	ns
6	E1110	6
7	E835	ns
8	E600	3
9	E4	ns
10		
11		
12		

*Pasan: 5

1	E32	1
2	E401	2
3	E253	3
4	E967	ns
5	E779	ns
6	E236	ns
7	E285	ns
8	E1100	4
9	E306	ns
10		
11		
12		

*Pasan: 5

1	E72	1
2	E79	5
3	CAT69	4
4	CAT320	ns
5	E145	ns
6	E14	ns
7	E186	2
8	E2	3
9	E144	6
10		
11		
12		

*Pasan: 5

5	E611	5
	E61	ns
	E21	6
	E161	ns
	CAT334	4
	E16	2
	E444	1
	E600	3
	E74	7
	E324	ns

*Pasan: 5

6	E32	3
	E401	2
	E253	6
	E1100	ns
	E72	1
	E186	ns
	E2	5
	CAT69	7
	E79	4

*Pasan: 5

FINAL B		
7	E74	5
	E61	1
	E21	2
	E161	3
	E306	4
	CAT69	6
	E324	7
	E253	8
	E186	9
	E1100	10

FINAL A		
8	E444	6
	E16	1
	E600	8
	CAT334	10
	E611	5
	E72	3
	E401	7
	E32	2
	E79	4
	E2	9

*

CIRCUITO ESPAÑOL DE FUNBOARD 2012
2º PRUEBA CEF MURCIA - LA4SIETE
CLUB: CLUB NÁUTICO MAR MENOR LOS ALCÁZARES
 Murcia - Los Alcázares, 28 al 30 de Abril
 Slalom



REAL FEDERACIÓN ESPAÑOLA DE VELA
 SECRETARÍA NACIONAL DE FUNBOARD

30 de Mayo

Eliminatoria: 3

1	E32	2
2	E401	1
3	CAT69	5
4	E253	4
5	E1100	7
6	E85	6
7	E73	3
8	CAT320	9
9	E285	8
10		
11		
12		

*Pasan: 5

1	E72	1
2	E444	FL
3	CAT334	4
4	E306	3
5	E161	FL
6	E145	2
7	E1110	6
8	E835	5
9	E779	DNS
10		
11		
12		

*Pasan: 5

1	E611	2
2	E79	1
3	E74	3
4	E600	7
5	E319	DNS
6	E144	5
7	E177	8
8	E4	4
9	E923	6
10		
11		
12		

*Pasan: 5

1	E16	1
2	E61	2
3	E2	4
4	E21	3
5	E324	6
6	E967	5
7	E186	8
8	E14	7
9	E236	9
10		
11		
12		

*Pasan: 5

5	E401	3
	E32	1
	E73	4
	E253	5
	CAT69	7
	E72	2
	E145	9
	E306	6
	CAT334	8
	E835	10

*Pasan: 5

6	E79	9
	E611	4
	E74	8
	E4	5
	E144	10
	E16	1
	E61	2
	E21	3
	E2	6
	E967	7

*Pasan: 5

FINAL B		
7	E306	2
	CAT69	7
	CAT334	6
	E145	9
	E835	8
	E2	3
	E967	5
	E74	4
	E79	1
	E144	10

FINAL A		
8	E32	5
	E72	2
	E401	4
	E73	10
	E253	9
	E16	1
	E61	3
	E21	7
	E611	6
	E4	8

*

CIRCUITO ESPAÑOL DE FUNBOARD 2012
2º PRUEBA CEF MURCIA - LA4SIETE
CLUB: CLUB NÁUTICO MAR MENOR LOS ALCÁZARES
Murcia - Los Alcázares, 28 al 30 de Abril
Slalom



REAL FEDERACIÓN ESPAÑOLA DE VELA
 SECRETARÍA NACIONAL DE FUNBOARD

30 de Abril
 Eliminatoria: 4

1	1	E72	3
2		E444	2
3		E61	1
4		E69	4
5		E319	5
6		E186	8
7		E835	6
8		E236	9
9		E14	7
10			
11			
12			

*Pasan: 5

1	2	E32	1
2		E401	2
3		E334	6
4		E74	4
5		E253	5
6		E85	DNS
7		E4	3
8		E285	7
9		E145	DNS
10			
11			
12			

*Pasan: 5

1	3	E79	2
2		E611	1
3		E21	3
4		E161	4
5		E1110	6
6		E144	5
7		E967	DNS
8		E779	DNS
9		CAT320	7
10			
11			
12			

*Pasan: 5

1	4	E16	1
2		E600	2
3		E2	4
4		E306	7
5		E324	6
6		E177	8
7		E73	3
8		E1100	5
9		E923	9
10			
11			
12			

*Pasan: 5

5	E61	4
	E444	5
	E72	1
	E69	10
	E319	9
	E32	2
	E401	3
	E4	6
	E74	8
	E253	7

*Pasan: 5

6	E611	1
	E79	3
	E21	4
	E161	8
	E144	7
	E16	2
	E600	5
	E73	DNS
	E2	6
	E1100	DNS

*Pasan: 5

FINAL B		
7	E4	DNS
	E253	3
	E74	4
	E319	9
	E69	1
	E2	2
	E144	7
	E161	5
	E1100	8
	E73	6

FINAL A		
8	E72	2
	E32	6
	E401	10
	E61	4
	E444	3
	E611	5
	E16	1
	E79	7
	E21	8
	E600	9

*

CLASIFICACIÓN FREESTYLE

SENIOR

Pos.	Cat.	Nombre	Núm. Vela	Puntos	Sponsors	Club	
1	S	Emilio Galindo	E-21	0,7	Simmer, Sailboards Tarifa	CW Sancti Petri	Andaluzá
2	M	Ferran Recasens	E-401	2,0	Rrd, Simmer, Escola del Vent, Recasens Ineriorisme	CN Bétulo	Catalana
3	S	Ramon Pastor	E-72	3,0	Tabou, Gaastra, AL360, Radz, Prolimit, Select, Bubel, Windparadise.com	CN Bétulo	Catalana
4	S	Pablo Ania	E-16	4,0	F2, North Sails, Windcenterdenia, Gregor Fins, Infisport, Virgilio Gym	CW Burriana	Valenciana
5	S	Francisco Casas	E-80	5,0	-	CD Sureste Cabo de Gata	Andaluzá
6	M	Marius Solà	E-79	6,0	Rrd, Ezzy, Sailboards Tarifa, Sailboards Girona, GoPro	CN Bétulo	Catalana
7	M	F. Javier Valverde	E-233	7,0	Challenger Sails, Stunts Cartagena	CN Los Nietos	Murciana
7	S	Aberto Sempere	E-967	7,0	Challenger Sails, Stunts Cartagena	Windsurf Santa Pola	Valenciana
9	J	Marc Paré	E-334	9,0	Rrd, Simmer, Sailboards Girona, Quopiam, EMC2	GEN Roses	Catalana
9	M	Jaume Juncà	E-73	9,0	Simmer, Sailboards Girona, Juncà Suñe Constructors	CN Port de la Selva	Catalana
9	S	Pablo Pastor	E-734	9,0	Loft Sails, Sailboards Tarifa, Hot Stick Tarifa, Playsafe, Dentista-Ortodentista.com	Independiente	Andaluzá
9	S	Rafael Cervero	E-13	9,0	Simmer Sails, Aeron, Sailboards Tarifa	E.M Vela Valenciana	Valenciana
13	F	María Andrés	E-2	13,0	Starboard, Gun Sails, Mystic, Aeron, Ozu Tarifa, Satorisan, Bubel, Reptile	CV Valdelagrana	Andaluzá
13	J	Óscar Ania	E-741	13,0	Sailboards Tarifa	CW Burriana	Valenciana
13	M	Francisco Perez	E-444	13,0	North Sails, Eolo Windsurf	CD Sureste Cabo de Gata	Andaluzá
13	S	Victor Labañera	E-189	13,0	Challenger Sails, Stunts Cartagena	Windsurf Santa Pola	Valenciana
17	M	Xavier Torres	E-74	17,0	Tabou, Simmer, Sailboards Girona, Windparadise.com	WAP	Catalana
17	M	Juan Alberto Bohajar	E-144	17,0	-	Windsurf Mar Menor	Murciana
17	J	Daniel Sempere	E-263	17,0	-	Windsurf Santa Pola	Valenciana

MÁSTER

Pos.	Cat.	Nombre	Núm. Vela	Puntos	Sponsors	Club	
1	M	Ferran Recasens	E-401	0,7	Rrd, Simmer, Escola del Vent, Recasens Ineriorisme	CN Bétulo	Catalana
2	M	Marius Solà	E-79	2,0	Rrd, Ezzy, Sailboards Tarifa, Sailboards Girona, GoPro	CN Bétulo	Catalana
3	M	F. Javier Valverde	E-233	3,0	Challenger Sails, Stunts Cartagena	CN Los Nietos	Murciana
4	M	Jaume Juncà	E-73	4,0	Simmer, Sailboards Girona, Juncà Suñe Constructors	CN Port de la Selva	Catalana
5	M	Francisco Perez	E-444	5,0	North Sails, Eolo Windsurf	CD Sureste Cabo de Gata	Andaluzá
6	M	Xavier Torres	E-74	6,0	Tabou, Simmer, Sailboards Girona, Windparadise.com	WAP	Catalana
6	M	Juan Alberto Bohajar	E-144	6,0	-	Windsurf Mar Menor	Murciana

JUVENIL

Pos.	Cat.	Nombre	Núm. Vela	Puntos	Sponsors	Club	
1	J	Marc Paré	E-334	0,7	Rrd, Simmer, Sailboards Girona, Quopiam, EMC2	GEN Roses	Catalana
2	J	Óscar Ania	E-741	2,0	Sailboards Tarifa	CW Burriana	Valenciana
3	J	Daniel Sempere	E-263	3,0	-	Windsurf Santa Pola	Valenciana

FÉMINAS

Pos.	Cat.	Nombre	Núm. Vela	Puntos	Sponsors	Club	
1	F	María Andrés	E-2	0,7	Starboard, Gun Sails, Mystic, Ozu Tarifa, Satorisan, Bubel	CV Valdelagrana	Andaluzá

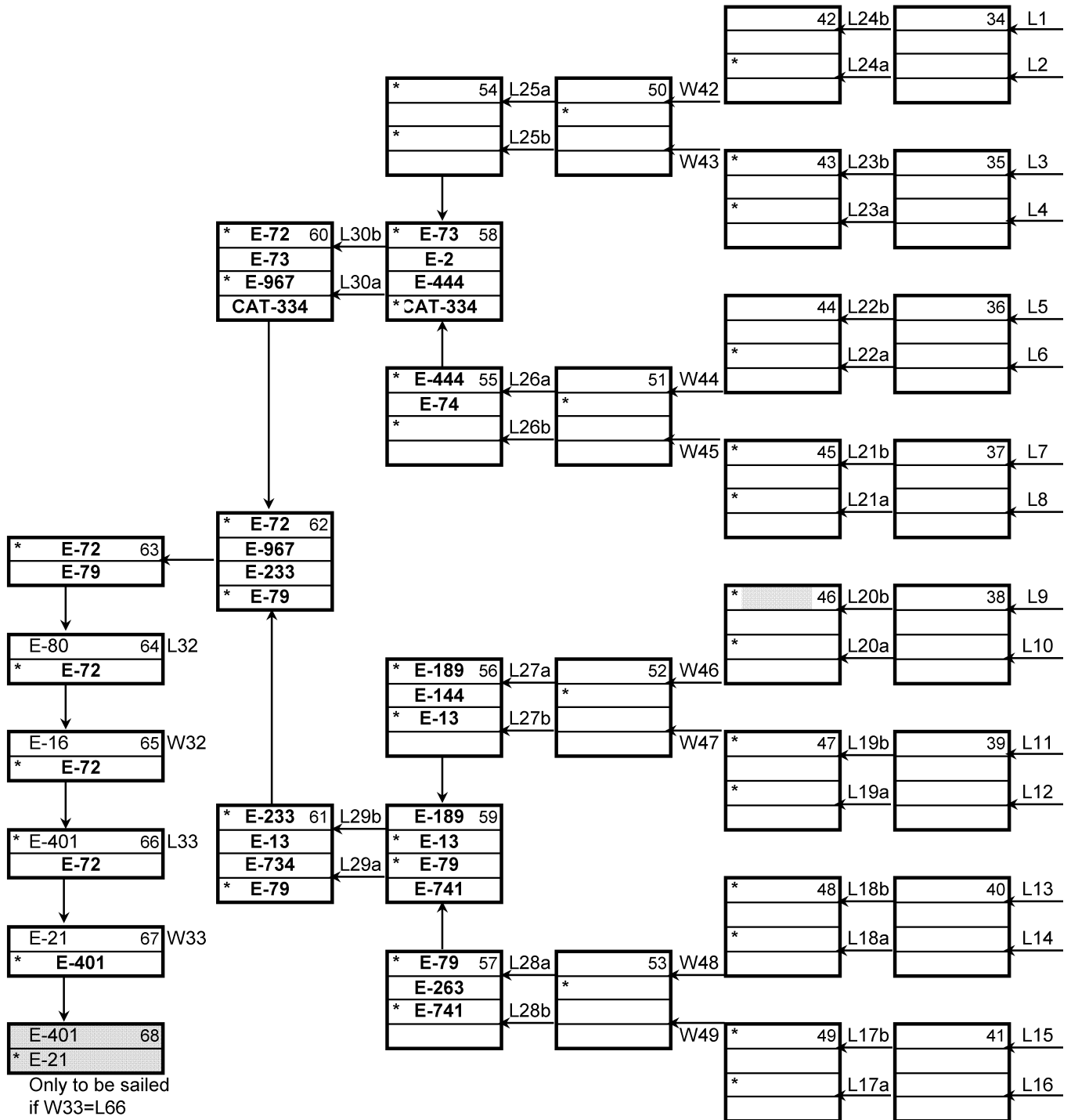
NOTAS

* Los competidores no españoles no computan en el ranking del Circuito Español (Campeonato de España)

CIRCUITO ESPAÑOL DE FUNBOARD 2012
2º PRUEBA CEF MURCIA - LA4SIETE
CLUB: CLUB NÁUTICO MAR MENOR LOS ALCÁZARES
Murcia - Los Alcázares, 28 al 30 de Abril
Freestyle



REAL FEDERACIÓN ESPAÑOLA DE VELA
 SECRETARÍA NACIONAL DE FUNBOARD



CIRCUITO ESPAÑOL DE FUNBOARD 2012
2º PRUEBA CEF MURCIA - LA4SIETE
CLUB: CLUB NÁUTICO MAR MENOR LOS ALCÁZARES
 Murcia - Los Alcázares, 28 al 30 de Abril
 Freestyle



REAL FEDERACIÓN ESPAÑOLA DE VELA
 SECRETARÍA NACIONAL DE FUNBOARD

