

CIRCUITO ESPAÑOL DE FUNBOARD 2014

1ª PRUEBA CEF ALMERIA - Culoperro

CLUB: CW Mar Azul

El Ajido, del 17 al 20 de Abril

Slalom



CLASIFICACIÓN SLALOM

SENIOR													
Pos. Cat.	Nombre	Núm. Vela	1	2	3	4	5	D1	D2	Total	Sponsors	Club	Territorial
1	M	Ben Steen	NED-57	0,7	0,7	0,7	0,7	0,7	0,7	2,1	Tabou, Gasails, Mystic, Malabau	INDEPENDIENTE	Andalucía
2	M	Ludo Jossin	X-12	2	2	2	2	2	2,0	6,0	Patrik, Loft Sail, S6oruz	TARIFA WINDSURFING	Andalucía
3	M	Fernando Martínez	ESP-71	3	3	3	5	5	5,0	9,0	Patrik, Point7, B3, Bedandsurfartarifa, Inmobiliaria Retamar	Nautico de Sevilla	Andalucía
4	S	Pablo Anía	ESP-16	5	4	11	4	11,0	13,0	13,0	Fanatic, North, Aeron, Ion, Zeta, Wet	CW BURRIANA	Valencia
5	M	Tomas Malina	CZE-109	4	6	4	12	12,0	14,0	14,0	Fanatic North Sails, O'neill, Svs, Identily, Sika	IDENTYLI WS CLUB NECH	Republica Checa
6	S	Francisco Casas	ESP-611	8	5	7	18	18,0	20,0	20,0	Goya Sails, Victor Fernandez Center, Stunts Shop	CD SURESTE CABO DE G.	Andalucía
7	M	Alejandro Alcázar	ESP-0	7	9	8	6	9,0	21,0	21,0	Patrik, Aeron, B3, Sailboards Tarifa, Waterports, Windsurf Pa	CM PUERO SHERRY	Andalucía
8	S	Ramon Pastor	CAT-72	12	10	9	3	12,0	22,0	22,0	Tabou, Gaastra, AL360, Optrix, Riff, S-Tream, Windparadise	CN BETULO	Catalunya
9	S	Martín Monteiro	POR-13	6	12	10	7	12,0	23,0	23,0	Angulo, Gun Sails, MEO, Windsurf Portugal, Clinica VV, Adicio	CW CARCAVELOS	Portugal
10	M	Francisco Perez	ESP-444	11	7	5	18	18,0	23,0	23,0	Fanatic, North Sails, Ion	CD SURESTE CABO DE G.	Andalucía
11	J	Marc Paré	ESP-334	13	11	12	10	13,0	33,0	33,0	Patrik, Simmer, Reptile, Maui Ultra Fins, Emc2, sailboards Giro	GEN ROSES	Catalunya
12	GM	Pedro Soares	POR-24	9	8	16	18	18,0	33,0	33,0	Animal, Island Style Surf Shop, Old Guys Rule	CW LAGOS	Portugal
13	S	Emilio Galindo	ESP-21	16	13	6	18	18,0	35,0	35,0	Fanatic, North Sails, Ion, K4 Fins, Wet	CW SANCTI-PETRI	Andalucía
14	GM	Jose Monteiro	POR-3	14	16	43	8	43,0	38,0	38,0	Angulo, Windsurf Portugal	CW CARCAVELOS	Portugal
15	S	Marcos Fernández	ESP-15	10	14	15	43	43,0	39,0	39,0	Waira, Sss	PUNTA LAGOA	Galicia
16	GM	Henning Voges	ESP-234	18	21	13	9	21,0	40,0	40,0	Angulo, Gun Sails, Maui Ultra Fins, Xcel	WAP	Andalucía
17	S	F María Andrés	ESP-2	15	19	17	18	19,0	50,0	50,0	Patrik, Gun Sails, Mystic, Reptile, Satorisan, Vector Fins, Aeror	CW SANCTI-PETRI	Andalucía
18	M	Augusto Teixeira	POR-131	24	17	18	18	24,0	53,0	53,0	-	WINDSURF PORTUGAL CI	Portugal
19	M	Alberto Casas	ESP-61	17	15	24	43	43,0	56,0	56,0	Challenger Sails	CD SURESTE CABO DE G.	Andalucía
20	J	Roberto Solvay	ESP-43	23	23	43	12	43,0	58,0	58,0	Ocean Republik, Rafa Cervero	EMV VALENCIA	Valencia
21	M	Jose Luis Gradoli	ESP-901	25	18	25	18	25,0	61,0	61,0	Mistral Boards Spain	INDEPENDIENTE	Valencia
22	M	Xavier Torres	ESP-74	25	28	22	18	28,0	65,0	65,0	Tabou, Simmer, Zern, Optrix, Riff, S-Tream, Windparadise, Sa	WAP	Catalunya
23	S	Luis Catalán	ESP-404	22	25	20	43	43,0	67,0	67,0	Over Limit	WAP	Catalunya
24	M	Fernando Rioja	ESP-126	21	30	25	25	30,0	71,0	71,0	Mellilla Deporte, Asociacion Deportiva Bomberos	RCN MELILLA	Mellilla
25	S	F Serena Zoia	ESP-17	43	25	29	18	43,0	72,0	72,0	Gaastra, Optrix, Riff, S-Tream	TARIFA WINDSURFING	Andalucía
26	J	Pedro Pinheiro	POR-2	19	20	33	43	43,0	72,0	72,0	Angulo Boards	CW CARCAVELOS	Portugal
27	S	Oscar Anía	ESP-161	20	43	14	43	43,0	77,0	77,0	-	CW BURRIANA	Valencia
28	GM	Dimitri Jahard	ESP-285	43	28	24	25	43,0	77,0	77,0	Ka Sails, Windsurfing Denia	WINDSURFINF DENIA	Valencia
29	GM	Eduardo López	ESP-808	25	43	35	18	43,0	78,0	78,0	Rrd, Gaastra, Sailboardstarifa	INDEPENDIENTE	Andalucía
30	S	José Ángel Funes	ESP-284	28	43	25	28	43,0	81,0	81,0	Challengersails, Stunts Shop	INDEPENDIENTE	Murcia
31	M	Francisco Mendoza	ESP-14	32	32	33	18	33,0	82,0	82,0	Fjmp Consultores, Base Nautica Bcn	WAP	Catalunya
32	GM	F Montserrat Collado	ESP-27	32	30	29	25	32,0	84,0	84,0	Rrd, Front Fred, Legal Matters, Tarifa Arte Vida, Base Nautica	WAP	Catalunya
33	M	Eduardo Navarro	ESP-70	28	43	19	43	43,0	90,0	90,0	-	VICARIO PANTANÍCOLAS	Castilla La Mancha
34	M	Pedro Antonio Martínez	ESP-208	27	22	43	43	43,0	92,0	92,0	Sevilla Gestión + Wind	INDEPENDIENTE	Murcia
35	M	Erik Schoneveld	ESP-324	43	43	21	30	43,0	94,0	94,0	Gaastra, Radical Surf	WINDSURFINF DENIA	Valencia
36	M	Pedro Jorge	POR-31	43	25	43	28	43,0	96,0	96,0	Angulo, Gun Sails, PÁuze, Windsurf Portugal	CW CARCAVELOS	Portugal
37	M	Daniel Roman	ESP-236	30	24	43	43	43,0	97,0	97,0	Challenger Sails - Stunts Shop Cartagena	INDEPENDIENTE	Murcia
38	M	Manuel Galindo	ESP-779	43	43	43	18	43,0	104,0	104,0	-	CW MAR AZUL	Andalucía
39	S	Liberto José Amate	ESP-777	30	43	43	32	43,0	105,0	105,0	Carretilas Amate	CD SURESTE CABO DE G.	Andalucía
40	J	Jose Antonio Casanova	ESP-442	43	43	36	30	43,0	109,0	109,0	-	CW MAR AZUL	Andalucía
41	GM	Francisco Gil Pinheiro	POR-27	43	43	43	25	43,0	111,0	111,0	-	CW CARCAVELOS	Portugal
42	M	Juan Leal	ESP-185	43	43	29	43	43,0	115,0	115,0	-	CW MAR AZUL	Andalucía
43	GM	Joan Paré	ESP-34	43	43	29	43	43,0	115,0	115,0	Patrik, Simmer, Emc2, Quopiam	GEN ROSES	Catalunya
44	J	F María Rioja	ESP-711	43	43	43	43	43,0	129,0	129,0	-	Real Club Marítimo de Meliil Millilla	

MÁSTER

Pos. Cat.	Nombre	Núm. Vela	1	2	3	4	5	D1	D2	Total	Sponsors	Club	Territorial
1	M	Ben Steen	NED-57	0,7	0,7	0,7	0,7	0,7	0,7	2,1	Tabou, Gasails, Mystic, Malabau	INDEPENDIENTE	Andalucía
2	M	Ludo Jossin	X-12	2	2	2	2	2	2,0	6,0	Patrik, Loft Sail, S6oruz	TARIFA WINDSURFING	Andalucía
3	M	Fernando Martínez	ESP-71	3	3	3	5	5,0	9,0	9,0	Patrik, Point7, B3, Bedandsurfartarifa, Inmobiliaria Retamar	Nautico de Sevilla	Andalucía
4	M	Tomas Malina	CZE-109	4	6	4	12	12,0	14,0	14,0	Fanatic North Sails, O'neill, Svs, Identily, Sika	IDENTYLI WS CLUB NECH	Republica Checa
5	M	Alejandro Alcázar	ESP-0	7	9	8	6	9,0	21,0	21,0	Patrik, Aeron, B3, Sailboards Tarifa, Waterports, Windsurf Pa	CM PUERO SHERRY	Andalucía
6	M	Francisco Perez	ESP-444	11	7	5	18	18,0	23,0	23,0	Fanatic, North Sails, Ion	CD SURESTE CABO DE G.	Andalucía
7	GM	Pedro Soares	POR-24	9	8	16	18	18,0	33,0	33,0	Animal, Island Style Surf Shop, Old Guys Rule	CW LAGOS	Portugal
8	GM	Jose Monteiro	POR-3	14	16	43	8	43,0	38,0	38,0	Angulo, Windsurf Portugal	CW CARCAVELOS	Portugal
9	GM	Henning Voges	ESP-234	18	21	13	9	21,0	40,0	40,0	Angulo, Gun Sails, Maui Ultra Fins, Xcel	WAP	Andalucía
10	M	Augusto Teixeira	POR-131	24	17	18	18	24,0	53,0	53,0	-	WINDSURF PORTUGAL CI	Portugal
11	M	Alberto Casas	ESP-61	17	15	24	43	43,0	56,0	56,0	Challenger Sails	CD SURESTE CABO DE G.	Andalucía
12	M	Jose Luis Gradoli	ESP-901	25	18	25	18	25,0	61,0	61,0	Mistral Boards Spain	INDEPENDIENTE	Valencia
13	M	Xavier Torres	ESP-74	25	28	22	18	28,0	65,0	65,0	Tabou, Simmer, Zern, Optrix, Riff, S-Tream, Windparadise, Sa	WAP	Catalunya
14	M	Fernando Rioja	ESP-126	21	30	25	25	30,0	71,0	71,0	Mellilla Deporte, Asociacion Deportiva Bomberos	RCN MELILLA	Mellilla
15	GM	Dimitri Jahard	ESP-285	43	28	24	25	43,0	77,0	77,0	Ka Sails, Windsurfing Denia	WINDSURFINF DENIA	Valencia
16	GM	Eduardo López	ESP-808	25	43	35	18	43,0	78,0	78,0	Rrd, Gaastra, Sailboardstarifa	INDEPENDIENTE	Andalucía
17	M	Francisco Mendoza	ESP-14	32	32	33	18	33,0	82,0	82,0	Fjmp Consultores, Base Nautica Bcn	WAP	Catalunya
18	GM	F Montserrat Collado	ESP-27	32	30	29	25	32,0	84,0	84,0	Rrd, Front Fred, Legal Matters, Tarifa Arte Vida, Base Nautica	WAP	Catalunya
19	M	Eduardo Navarro	ESP-70	28	43	19	43	43,0	90,0	90,0	-	VICARIO PANTANÍCOLAS	Castilla La Mancha
20	M	Pedro Antonio Martínez	ESP-208	27	22	43	43	43,0	92,0	92,0	Sevilla Gestión + Wind	INDEPENDIENTE	Murcia
21	M	Erik Schoneveld	ESP-324	43	43	21	30	43,0	94,0	94,0	Gaastra, Radical Surf	WINDSURFINF DENIA	Valencia
22	M	Pedro Jorge	POR-31	43	25	43	28	43,0	96,0	96,0	Angulo, Gun Sails, PÁuze, Windsurf Portugal	CW CARCAVELOS	Portugal
23	M	Daniel Roman	ESP-236	30	24	43	43	43,0	97,0	97,0	Challenger Sails - Stunts Shop Cartagena	INDEPENDIENTE	Murcia
24	M	Manuel Galindo	ESP-779	43	43	43	18	43,0	104,0	104,0	-	CW MAR AZUL	Andalucía
25	GM	Francisco Gil Pinheiro	POR-27	43	43	43	25	43,0	111,0	111,0	-	CW CARCAVELOS	Portugal
26	M	Juan Leal	ESP-185	43	43	29	43	43,0	115,0	115,0	-	CW MAR AZUL	Andalucía
27	GM	Joan Paré	ESP-34	43	43	29	43	43,0	115,0	115,0	Patrik, Simmer, Emc2, Quopiam	GEN ROSES	Catalunya

GRAN MÁSTER

Pos. Cat.	Nombre	Núm. Vela	1	2	3	4	5	D1	D2	Total	Sponsors	Club	Territorial
1	GM	Pedro Soares	POR-24	9	8	16	18	18,0	33,0	33,0	Animal, Island Style Surf Shop, Old Guys Rule	CW LAGOS	Portugal
2	GM	Jose Monteiro	POR-3	14	16	43	8	43,0	38,0	38,0	Angulo, Windsurf Portugal	CW CARCAVELOS	Portugal
3	GM	Henning Voges	ESP-234	18	21	13	9	21,0	40,0	40,0	Angulo, Gun Sails, Maui Ultra Fins, Xcel	WAP	Andalucía
4	GM	Dimitri Jahard	ESP-285	43	28	24	25	43,0	77,0	77,0	Ka Sails, Windsurfing Denia	WINDSURFINF DENIA	Valencia
5	GM	Eduardo López	ESP-808	25	43	35	18	43,0	78,0	78,0	Rrd, Gaastra, Sailboardstarifa	INDEPENDIENTE	Andalucía
6	GM	F Montserrat Collado	ESP-27	32	30	29	25	32,0	84,0	84,0	Rrd, Front Fred, Legal Matters, Tarifa Arte Vida, Base Nautica	WAP	Catalunya
7	GM	Francisco Gil Pinheiro	POR-27	43	43	43	25	43,0	111,0	111,0	-	CW CARCAVELOS	Portugal
8	GM	Joan Paré	ESP-34	43	43	29	43	43,0	115,0	115,0	Patrik, Simmer, Emc2, Quopiam	GEN ROSES	Catalunya

JUVENIL

Pos. Cat.	Nombre	Núm. Vela	1	2	3	4	5	D1	D2	Total	Sponsors	Club	Territorial
1	J	Marc Paré	ESP-334	13	11	12	10	13,0	33,0	33,0	Patrik, Simmer, Reptile, Maui Ultra Fins, Emc2, sailboards Giro	GEN ROSES	Catalunya
2	J	Roberto Solvay	ESP-43	23	23	43	12	43,0	58,0	58,0	Ocean Republik, Rafa Cervero	EMV VALENCIA	Valencia
3	J	Pedro Pinheiro	POR-2	19	20	33	43	43,0	72,0	72,0	Angulo Boards	CW CARCAVELOS	Portugal
4	J	Jose Antonio Casanova	ESP-442	43	43	36	30	43,0	109,0	109,0	-	CW MAR AZUL	Andalucía
5	J	F María Rioja	ESP-711	43	43	25	43	43,0	111,0	111,0	-	Real Club Marítimo de Meliil Millilla	

FEMINA

Pos. Cat.	Nombre	Núm. Vela	1	2	3	4	5	D1	D2	Total	Sponsors	Club	Territorial
1	S	F María Andrés	ESP-2	15	19	17	18	19,0	50,0	50,0	Patrik, Gun Sails, Mystic, Reptile, Satorisan, Vector Fins, Aeror	CW SANCTI-PETRI	Andalucía
2	S	F Serena Zoia	ESP-17	43	25	29	18	43,0	72,0	72,0	Gaastra, Optrix, Riff, S-Tream	TARIFA WINDSURFING	Andalucía
3	GM	F Montserrat Collado	ESP-27	32	30	29	25	32,0	84,0	84,0	Rrd, Front Fred, Legal Matters, Tarifa Arte Vida, Base Nautica	WAP	Catalunya
4	J	F María Rioja	ESP-711	43	43	43	43	43,0	129,0	129,0	-	Real Club Marítimo de Meliil Millilla	

NOTAS

* Los competidores no españoles no computan en el ranking del Circuito Español (Campeonato de España)

* Los descartes, D1 y D2, serán las 2 peores puntuaciones:

De 1 a 3 eliminatorias	0 descartes
De 4 a 6 eliminatorias	1 descarte
De 7 a 15 eliminatorias	2 descartes

CIRCUITO ESPAÑOL DE FUNBOARD 2014

1ª PRUEBA CEF ALMERIA - Culperro

CLUB: CW Mar Azul

El Ajido, del 17 al 20 de Abril

Slalom

CLASIFICACIÓN SLALOM
SENIOR

Pos.	Cat.	Nombre	Núm. Vela	1	2	3	4	5	D1	D2	Total	Sponsors	Club	Territorial
1	M	Ben Steen	NED-57	0,7	0,7	0,7	0,7		0,7		2,1	Tabou, Gasails, Mystic, Malabau	INDEPENDIENTE	Andalucía
2	M	Ludo Jossin	X-12	2	2	2	2		2,0		6,0	Patrik, Loft Sail, Sóoruz	TARIFA WINDSURFING	Andalucía
3	M	Fernando Martínez	ESP-71	3	3	3	5		5,0		9,0	Patrik, Point7, B3, Bedandsurftarifa, Inmobiliaria Retamar	Nautico de Sevilla	Andalucía
4	S	Pablo Ánía	ESP-16	5	4	11	4		11,0		13,0	Fanatic, North, Aeron, Ion, Zeta, Wet	CW BURRIANA	Valencia
5	S	Francisco Casas	ESP-611	8	5	7	18		18,0		20,0	Goya Sails, Victor Fernandez Center, Stunts Shop	CD SURESTE CABO DE G	Andalucía
6	M	Alejandro Alcázar	ESP-0	7	9	8	6		9,0		21,0	Patrick, Aeron, B3, Sailboards Tarifa, Waterports, Windsurf Pa	CM PUERO SHERRY	Andalucía
7	S	Ramon Pastor	CAT-72	12	10	9	3		12,0		22,0	Tabou, Gaastra, AL360, Optrix, Riff, S-Tream, Windparadise	CN BETULO	Cataluña
8	M	Francisco Perez	ESP-444	11	7	5	18		18,0		23,0	Fanatic, North Sails, Ion	CD SURESTE CABO DE G	Andalucía
9	J	Marc Paré	ESP-334	13	11	12	10		13,0		33,0	Patrik, Simmer, Reptile, Maui Ultra Fins, Emc2,sailboards Giro	GEN ROSES	Cataluña
10	S	Emilio Galindo	ESP-21	16	13	6	18		18,0		35,0	Fanatic, North Sails, Ion, K4 Fins, Wet	CW SANCTI-PETRI	Andalucía
11	S	Marcos Fernández	ESP-15	10	14	15	43		43,0		39,0	Waira, Sss	PUNTA LAGOA	Galicia
12	GM	Henning Voges	ESP-234	18	21	13	9		21,0		40,0	Angulo, Gun Sails, Maui Ultra Fins, Xcel	WAP	Andalucía
13	S	F María Andrés	ESP-2	15	19	17	18		43,0		50,0	Patrick, Gun Sails, Mystic, Reptile, Satorisan, Vector Fins, Aero	CW SANCTI-PETRI	Andalucía
14	M	Alberto Casas	ESP-61	17	15	24	43		43,0		56,0	Challenger Sails	CD SURESTE CABO DE G	Andalucía
15	J	Roberto Solvay	ESP-43	23	23	43	12		43,0		58,0	Ocean Republik, Rafa Cervero	EMV VALENCIA	Valencia
16	M	Jose Luis Gradoli	ESP-901	25	18	25	18		25,0		61,0	Mistral Boards Spain	INDEPENDIENTE	Valencia
17	M	Xavier Torres	ESP-74	25	28	22	18		28,0		65,0	Tabou, Simmer, Zem, Optrix, Riff, S-Tream, Windparadise, Sai	WAP	Cataluña
18	S	Luis Catalán	ESP-404	22	25	20	43		43,0		67,0	Over Limit	WAP	Cataluña
19	M	Fernando Rioja	ESP-126	21	30	25	25		30,0		71,0	Melilla Deporte, Asociacion Deportiva Bomberos	RCN MELILLA	Melilla
20	S	F Serena Zoia	ESP-17	43	25	29	18		43,0		72,0	Gaastra, Optrix, Riff, S-Tream	TARIFA WINDSURFING	Andalucía
21	GM	Dimitri Jahard	ESP-285	43	28	24	25		43,0		77,0	Ka Sails, Windsurfing Denia	WINDSURFINF DENIA	Valencia
22	S	Oscar Ánía	ESP-161	20	43	14	43		43,0		77,0	-	CW BURRIANA	Valencia
22	GM	Eduardo López	ESP-808	25	43	35	18		43,0		78,0	Rrd, Gaastra, Sailboardstarifa	INDEPENDIENTE	Andalucía
23	S	José Ángel Funes	ESP-284	28	43	25	28		43,0		81,0	Challengersails, Stunts Shop	INDEPENDIENTE	Murcia
24	M	Francisco Mendoza	ESP-14	32	32	33	18		33,0		82,0	Fjnp Consultores, Base Nautica Bcn	WAP	Cataluña
25	GM	F Montserrat Collado	ESP-27	32	30	29	28		32,0		87,0	Rrd, Front Fred, Legal Matters, Tarifa Arte Vida, Base Nautica	WAP	Cataluña
26	M	Eduardo Navarro	ESP-70	28	43	19	43		43,0		90,0	-	VICARIO PANTANÍCOLAS	Castilla La Mancha
27	M	Pedro Antonio Martínez	ESP-208	27	22	43	43		43,0		92,0	Sevilla Gestión + Wind	INDEPENDIENTE	Murcia
28	M	Erik Schoneveld	ESP-324	43	43	21	30		43,0		94,0	Gaastra, Radical Surf	WINDSURFINF DENIA	Valencia
29	M	Daniel Roman	ESP-236	30	24	43	43		43,0		97,0	Challenger Sails - Stunts Shop Cartagena	INDEPENDIENTE	Murcia
30	M	Manuel Galindo	ESP-779	43	43	43	18		43,0		104,0	-	CW MAR AZUL	Andalucía
31	S	Liberto José Amate	ESP-777	30	43	43	32		43,0		105,0	Carretilas Amate	CD SURESTE CABO DE G	Andalucía
32	J	Jose Antonio Casanova	ESP-442	43	43	36	30		43,0		109,0	-	CW MAR AZUL	Andalucía
33	M	Juan Leal	ESP-185	43	43	29	43		43,0		115,0	-	CW MAR AZUL	Andalucía
34	GM	Joan Paré	ESP-34	43	43	29	43		43,0		115,0	Patrik, Simmer, Emc2, Quopiam	GEN ROSES	Cataluña
35	J	F María Rioja	ESP-711	43	43	43	43		43,0		129,0	-	Real Club Marítimo de Melil Millilla	

MÁSTER

Pos.	Cat.	Nombre	Núm. Vela	1	2	3	4	5	D1	D2	Total	Sponsors	Club	Territorial
1	M	Ben Steen	NED-57	0,7	0,7	0,7	0,7		0,7		2,1	Tabou, Gasails, Mystic, Malabau	INDEPENDIENTE	Andalucía
2	M	Ludo Jossin	X-12	2	2	2	2		2,0		6,0	Patrik, Loft Sail, Sóoruz	TARIFA WINDSURFING	Andalucía
3	M	Fernando Martínez	ESP-71	3	3	3	5		5,0		9,0	Patrik, Point7, B3, Bedandsurftarifa, Inmobiliaria Retamar	Nautico de Sevilla	Andalucía
4	M	Alejandro Alcázar	ESP-0	7	9	8	6		9,0		21,0	Patrick, Aeron, B3, Sailboards Tarifa, Waterports, Windsurf Pa	CM PUERO SHERRY	Andalucía
5	M	Francisco Perez	ESP-444	11	7	5	18		18,0		23,0	Fanatic, North Sails, Ion	CD SURESTE CABO DE G	Andalucía
6	GM	Henning Voges	ESP-234	18	21	13	9		21,0		40,0	Angulo, Gun Sails, Maui Ultra Fins, Xcel	WAP	Andalucía
7	M	Alberto Casas	ESP-61	17	15	24	43		43,0		56,0	Challenger Sails	CD SURESTE CABO DE G	Andalucía
8	M	Jose Luis Gradoli	ESP-901	25	18	25	18		25,0		61,0	Mistral Boards Spain	INDEPENDIENTE	Valencia
9	M	Xavier Torres	ESP-74	25	28	22	18		28,0		65,0	Tabou, Simmer, Zem, Optrix, Riff, S-Tream, Windparadise, Sai	WAP	Cataluña
10	M	Fernando Rioja	ESP-126	21	30	25	25		30,0		71,0	Melilla Deporte, Asociacion Deportiva Bomberos	RCN MELILLA	Melilla
11	GM	Dimitri Jahard	ESP-285	43	28	24	25		43,0		77,0	Ka Sails, Windsurfing Denia	WINDSURFINF DENIA	Valencia
12	GM	Eduardo López	ESP-808	25	43	35	18		43,0		78,0	Rrd, Gaastra, Sailboardstarifa	INDEPENDIENTE	Andalucía
13	M	Francisco Mendoza	ESP-14	32	32	33	18		33,0		82,0	Fjnp Consultores, Base Nautica Bcn	WAP	Cataluña
14	GM	F Montserrat Collado	ESP-27	32	30	29	25		32,0		84,0	Rrd, Front Fred, Legal Matters, Tarifa Arte Vida, Base Nautica	WAP	Cataluña
15	M	Eduardo Navarro	ESP-70	28	43	19	43		43,0		90,0	-	VICARIO PANTANÍCOLAS	Castilla La Mancha
16	M	Pedro Antonio Martínez	ESP-208	27	22	43	43		43,0		92,0	Sevilla Gestión + Wind	INDEPENDIENTE	Murcia
17	M	Erik Schoneveld	ESP-324	43	43	21	30		43,0		94,0	Gaastra, Radical Surf	WINDSURFINF DENIA	Valencia
18	M	Daniel Roman	ESP-236	30	24	43	43		43,0		97,0	Challenger Sails - Stunts Shop Cartagena	INDEPENDIENTE	Murcia
19	M	Manuel Galindo	ESP-779	43	43	43	18		43,0		104,0	-	CW MAR AZUL	Andalucía
20	M	Juan Leal	ESP-185	43	43	29	43		43,0		115,0	-	CW MAR AZUL	Andalucía
21	GM	Joan Paré	ESP-34	43	43	29	43		43,0		115,0	Patrik, Simmer, Emc2, Quopiam	GEN ROSES	Cataluña

GRAN MÁSTER

Pos.	Cat.	Nombre	Núm. Vela	1	2	3	4	5	D1	D2	Total	Sponsors	Club	Territorial
1	GM	Henning Voges	ESP-234	18	21	13	9		21,0		40,0	Angulo, Gun Sails, Maui Ultra Fins, Xcel	WAP	Andalucía
2	GM	Dimitri Jahard	ESP-285	43	28	24	25		43,0		77,0	Ka Sails, Windsurfing Denia	WINDSURFINF DENIA	Valencia
3	GM	Eduardo López	ESP-808	25	43	35	18		43,0		78,0	Rrd, Gaastra, Sailboardstarifa	INDEPENDIENTE	Andalucía
4	GM	F Montserrat Collado	ESP-27	32	30	29	25		32,0		84,0	Rrd, Front Fred, Legal Matters, Tarifa Arte Vida, Base Nautica	WAP	Cataluña
5	GM	Joan Paré	ESP-34	43	43	29	43		43,0		115,0	Patrik, Simmer, Emc2, Quopiam	GEN ROSES	Cataluña

JUVENIL

Pos.	Cat.	Nombre	Núm. Vela	1	2	3	4	5	D1	D2	Total	Sponsors	Club	Territorial
1	J	Marc Paré	ESP-334	13	11	12	10		13,0		33,0	Patrik, Simmer, Reptile, Maui Ultra Fins, Emc2,sailboards Giro	GEN ROSES	Cataluña
2	J	Roberto Solvay	ESP-43	23	23	43	12		43,0		58,0	Ocean Republik, Rafa Cervero	EMV VALENCIA	Valencia
3	J	Jose Antonio Casanova	ESP-442	43	43	36	30		43,0		109,0	-	CW MAR AZUL	Andalucía
4	J	F María Rioja	ESP-711	43	43	25	43		43,0		111,0	-	Real Club Marítimo de Melil Millilla	

FÉMINA

Pos.	Cat.	Nombre	Núm. Vela	1	2	3	4	5	D1	D2	Total	Sponsors	Club	Territorial
1	S	F María Andrés	ESP-2	15	19	17	18		19,0		50,0	Patrick, Gun Sails, Mystic, Reptile, Satorisan, Vector Fins, Aero	CW SANCTI-PETRI	Andalucía
2	S	F Serena Zoia	ESP-17	43	25	29	18		43,0		72,0	Gaastra, Optrix, Riff, S-Tream	TARIFA WINDSURFING	Andalucía
3	GM	F Montserrat Collado	ESP-27	32	30	29	25		32,0		84,0	Rrd, Front Fred, Legal Matters, Tarifa Arte Vida, Base Nautica	WAP	Cataluña
4	J	F María Rioja	ESP-711	43	43	43	43		43,0		129,0	-	Real Club Marítimo de Melil Millilla	

NOTAS

* Los competidores no españoles no computan en el ranking del Circuito Español (Campeonato de España)

* Los descartes, D1 y D2, serán las 2 peores puntuaciones:

De 1 a 3 eliminatorias 0 descartes
 De 4 a 6 eliminatorias 1 descarte
 De 7 a 15 eliminatorias 2 descartes

CIRCUITO ESPAÑOL DE FUNBOARD 2014

1ª PRUEBA CEF ALMERIA - Culoperro

CLUB: CW Mar Azul

El Ajido, del 17 al 20 de Abril

Olas



CLASSIFICACIÓN

GENERAL

Pos.	Cat.	Nombre	Núm. Vela	Puntos	Sponsors	Club	Territorial
1	M	Miguel Del Toro	ESP-52	0,7	Ezzy Sails, Sailboards Tarifa	CW MAR AZUL	Andalucia
2	S	Ramon Pastor	CAT-72	2,0	Tabou, Gaastra, AL360, Optrix, Riff, S-Tream, Windparadise	CN BETULO	Catalunya
3	S	Francisco Casas	ESP-80	3,0	Goya Sails, Victor Fernandez Center, Stunts Shop	CD SURESTE CABO DE G	Andalucia
4	M	Francisco Perez	ESP-444	4,0	Fanatic, North Sails, Ion	CD SURESTE CABO DE G	Andalucia
5	S	Emilio Galindo	ESP-21	5,0	Fanatic, North Sails, Ion, K4 Fins, Wet	CW SANCTI-PETRI	Andalucia
6	S	Pablo Pastor	ESP-734	6,0	Sailboardstarifa/Windparadise/Trickon	INDEPENDIENTE	Andalucia
7	J	Marc Paré	ESP-334	7,0	Patrik, Simmer, Reptile, Maui Ultra Fins, Emc2,sailboards Girona, Quopiam	GEN ROSES	Catalunya
7	S	Óscar Ánia	ESP-161	7,0	-	CW BURRIANA	Valencia
9	GM	Henning Voges	ESP-234	9,0	Angulo, Gun Sails, Maui Ultra Fins, Xcel	WAP	Andalucia
9	S	Pablo Ánia	ESP-16	9,0	Fanatic, North, Aeron, Ion, Zeta, Wet	CW BURRIANA	Valencia
9	S	Marcos Fernández	ESP-15	9,0	Waira, Sss	PUNTA LAGOA	Galicia
9	S	Carlos Miras	ESP-148	9,0	-	CD SURESTE CABO DE G	Andalucia
13	S	F María Andrés	ESP-2	13,0	Patrik, Gun Sails, Mystic, Reptile, Satorisan, Vector Fins, Aeron	CW SANCTI-PETRI	Andalucia
13	J	Roberto Solvay	ESP-43	13,0	Ocean Republik, Rafa Cervero	EMV VALENCIA	Valencia
13	M	Jose Luis Gradolí	ESP-901	13,0	Mistral Boards Spain	INDEPENDIENTE	Valencia
13	S	Francisco Ruiz	ESP-58	13,0	MQFertinigación	CW MAR AZUL	Andalucia
17	M	Xavier Torres	ESP-74	17,0	Tabou, Simmer, Zem, Optrix, Riff, S-Tream, Windparadise, Sailboards Girona	WAP	Catalunya
17	J	Emilio Adan	ESP-28	17,0	Simmer, Ocean Republik, Rafa Cervero	EMV VALENCIA	Valencia
17	M	Fernando Rioja	ESP-126	17,0	Melilla Deporte, Asociacion Deportiva Bomberos	RCN MELILLA	Melilla
17	GM	F Montserrat Collado	ESP-27	17,0	Rrd, Front Fred, Legal Matters, Tarifa Arte Vida, Base Nautica BCN, Global Translators	WAP	Catalunya
17	S	Liberto José Ámate	ESP-777	17,0	Carretillas Amate	CD SURESTE CABO DE G	Andalucia
17	S	F Serena Zoia	ESP-17	17,0	Gaastra, Optrix, Riff, S-Tream	TARIFA WINDSURFING	Andalucia
17	J	Jose Antonio Casanova	ESP-442	17,0	-	CW MAR AZUL	Andalucia
17	S	Miqueas Muñoz Herrera	ESP-83	17,0	-	INDEPENDIENTE	Andalucia
24	M	Manuel Galindo	ESP-779	24,0	-	CW MAR AZUL	Andalucia
24	M	Eduardo Navarro	ESP-70	24,0	-	VICARIO PANTANÍCOLAS	Castilla La M
24	S	Luis Catalán	ESP-404	24,0	Over Limit	WAP	Catalunya

MÁSTER

Pos.	Cat.	Nombre	Núm. Vela	Puntos	Sponsors	Club	Territorial
1	M	Miguel Del Toro	ESP-52	0,7	Ezzy Sails, Sailboards Tarifa	CW MAR AZUL	Andalucia
2	M	Francisco Perez	ESP-444	2,0	Fanatic, North Sails, Ion	CD SURESTE CABO DE G	Andalucia
3	GM	Henning Voges	ESP-234	3,0	Angulo, Gun Sails, Maui Ultra Fins, Xcel	WAP	Andalucia
4	M	Jose Luis Gradolí	ESP-901	4,0	Mistral Boards Spain	INDEPENDIENTE	Valencia
5	M	Xavier Torres	ESP-74	5,0	Tabou, Simmer, Zem, Optrix, Riff, S-Tream, Windparadise, Sailboards Girona	WAP	Catalunya
5	M	Fernando Rioja	ESP-126	5,0	Melilla Deporte, Asociacion Deportiva Bomberos	RCN MELILLA	Melilla
5	GM	F Montserrat Collado	ESP-27	5,0	Rrd, Front Fred, Legal Matters, Tarifa Arte Vida, Base Nautica BCN, Global Translators	WAP	Catalunya
8	M	Manuel Galindo	ESP-779	8,0	-	CW MAR AZUL	Andalucia
8	M	Eduardo Navarro	ESP-70	8,0	-	VICARIO PANTANÍCOLAS	Castilla La M

GRAN MÁSTER

Pos.	Cat.	Nombre	Núm. Vela	Puntos	Sponsors	Club	Territorial
1	GM	Henning Voges	ESP-234	0,7	Angulo, Gun Sails, Maui Ultra Fins, Xcel	WAP	Andalucia
2	GM	F Montserrat Collado	ESP-27	2,0	Rrd, Front Fred, Legal Matters, Tarifa Arte Vida, Base Nautica BCN, Global Translators	WAP	Catalunya

JUVENIL

Pos.	Cat.	Nombre	Núm. Vela	Puntos	Sponsors	Club	Territorial
1	J	Marc Paré	ESP-334	0,7	Patrik, Simmer, Reptile, Maui Ultra Fins, Emc2,sailboards Girona, Quopiam	GEN ROSES	Catalunya
2	J	Roberto Solvay	ESP-43	2,0	Ocean Republik, Rafa Cervero	EMV VALENCIA	Valencia
3	J	Emilio Adan	ESP-28	3,0	Simmer, Ocean Republik, Rafa Cervero	EMV VALENCIA	Valencia
3	J	Jose Antonio Casanova	ESP-442	3,0	-	CW MAR AZUL	Andalucia

FÉMINES

Pos.	Cat.	Nombre	Núm. Vela	Puntos	Sponsors	Club	Territorial
1	S	F María Andrés	ESP-2	0,7	Patrik, Gun Sails, Mystic, Reptile, Satorisan, Vector Fins, Aeron	CW SANCTI-PETRI	Andalucia
3	GM	F Montserrat Collado	ESP-27	2,0	Rrd, Front Fred, Legal Matters, Tarifa Arte Vida, Base Nautica BCN, Global Translators	WAP	Catalunya
3	S	F Serena Zoia	ESP-17	2,0	Gaastra, Optrix, Riff, S-Tream	TARIFA WINDSURFING	Andalucia

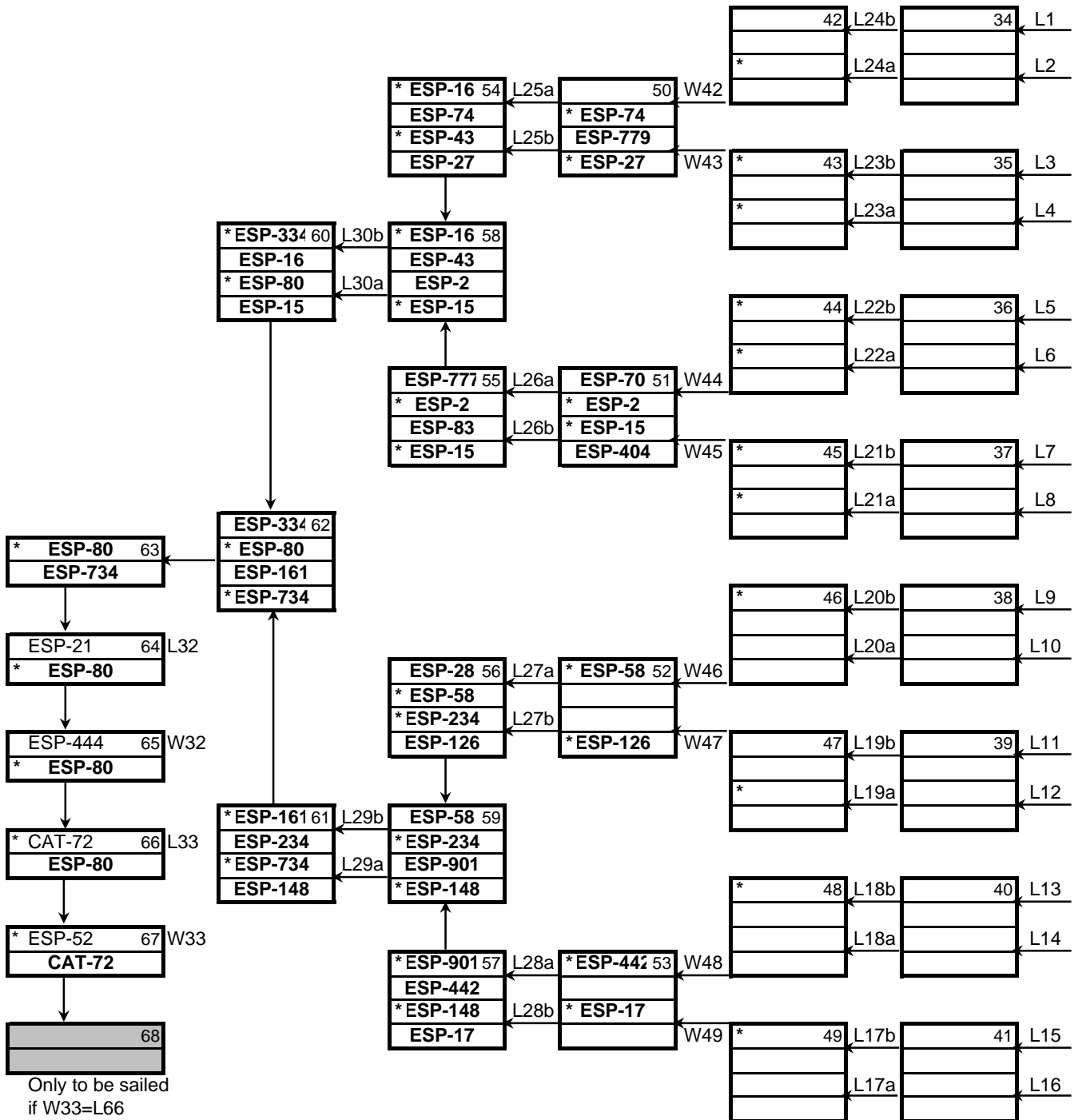
CIRCUITO ESPAÑOL DE FUNBOARD 2014

1ª PRUEBA CEF ALMERIA - Culoperro

CLUB: CW Mar Azul

El Ajido, del 17 al 20 de Abril

Olas



Only to be sailed if W33=L66

CIRCUITO ESPAÑOL DE FUNBOARD 2014
1ª PRUEBA CEF ALMERIA - Culoperro
CLUB: CW Mar Azul
El Ajido, del 17 al 20 de Abril
Olas

