

CIRCUIT CATALÀ DE FUNBOARD 2013
2º PROVA CCF PORT DE LA SELVA
CLUB: CN PORT DE LA SELVA - A DOS VELES
Port de la Selva (Girona), 20 d'abril
Freestyle



CLASSIFICACIÓ

SENIOR

| Pos. | Cat. | Nom | Núm. Vela | Punts | Sponsors | Club | |
|------|------|------------------|-----------|-------|---|---------------------|----------|
| 1 | S | Eric Sanllehy | CAT-1111 | 0,7 | Goya Board & Sails, Oxbow | CN Barcelona | Catalana |
| 2 | S | Ramon Pastor | E-72 | 2,0 | Tabou, Gaastra, AL360, Radz, Prolimit, Select, RIFF, Windparadise.com | CN Bétulo | Catalana |
| 3 | M | Ferran Recasens | E-401 | 3,0 | Rrd, Simmer, Escola del Vent, Recasens Interiorisme | CN Bétulo | Catalana |
| 4 | J | Martí Roset | CAT-503 | 4,0 | Windiscovery | CW Port de la Selva | Catalana |
| 5 | M | Màrius Solà | E-79 | 5,0 | JP, NP, Magic Wave, GoPro | CN Bétulo | Catalana |
| 6 | J | Marc Paré | E-334 | 6,0 | Rrd, Simmer, AL360, Sailboards Girona, Kirocream, Quopiam, EMC2 | GEN Roses | Catalana |
| 7 | M | Jaume Juncà | E-73 | 7,0 | Reptile, Sailboards Girona, Junca Sañe Constructors | CN Port de la selva | Catalana |
| 7 | S | Sergio Espinosa | E-65 | 7,0 | Sailboards Girona, Càmping Aquarius | WAP | Catalana |
| 9 | S | Aida Macià | CAT-85 | 9,0 | RRD, Simmer, Sailsboardsgirona, Buff | CN Bétulo | Catalana |
| 9 | J | Didac Pinart | CAT-520 | 9,0 | A dos Veles | CN Port de la selva | Catalana |
| 9 | S | Albert Barroso | CAT-405 | 9,0 | - | WAP | Catalana |
| 13 | S | Albert Fernández | E-39 | 13,0 | - | CN Bétulo | Catalana |
| 13 | S | Marc Roca | E-93 | 13,0 | Sailboards Girona | CN Bétulo | Catalana |
| 13 | M | Xavier Torres | E-74 | 13,0 | Tabou, Simmer, Sailboards Girona, Windparadise.com | WAP | Catalana |
| 13 | S | Estaban Baturone | E-773 | 13,0 | A dos Veles | CN Port de la selva | Catalana |
| 13 | S | Roger Viladrosa | CAT-512 | 13,0 | - | WAP | Catalana |
| 17 | J | Àlex Vidal | E-780 | 17,0 | - | CW Port de la Selva | Catalana |

MÁSTER

| Pos. | Cat. | Nom | Núm. Vela | Punts | Sponsors | Club | |
|------|------|-----------------|-----------|-------|---|---------------------|----------|
| 3 | M | Ferran Recasens | E-401 | 3,0 | Rrd, Simmer, Escola del Vent, Recasens Interiorisme | CN Bétulo | Catalana |
| 5 | M | Màrius Solà | E-79 | 5,0 | JP, NP, Magic Wave, GoPro | CN Bétulo | Catalana |
| 7 | M | Jaume Juncà | E-73 | 7,0 | Reptile, Sailboards Girona, Junca Sañe Constructors | CN Port de la selva | Catalana |
| 13 | M | Xavier Torres | E-74 | 13,0 | Tabou, Simmer, Sailboards Girona, Windparadise.com | WAP | Catalana |

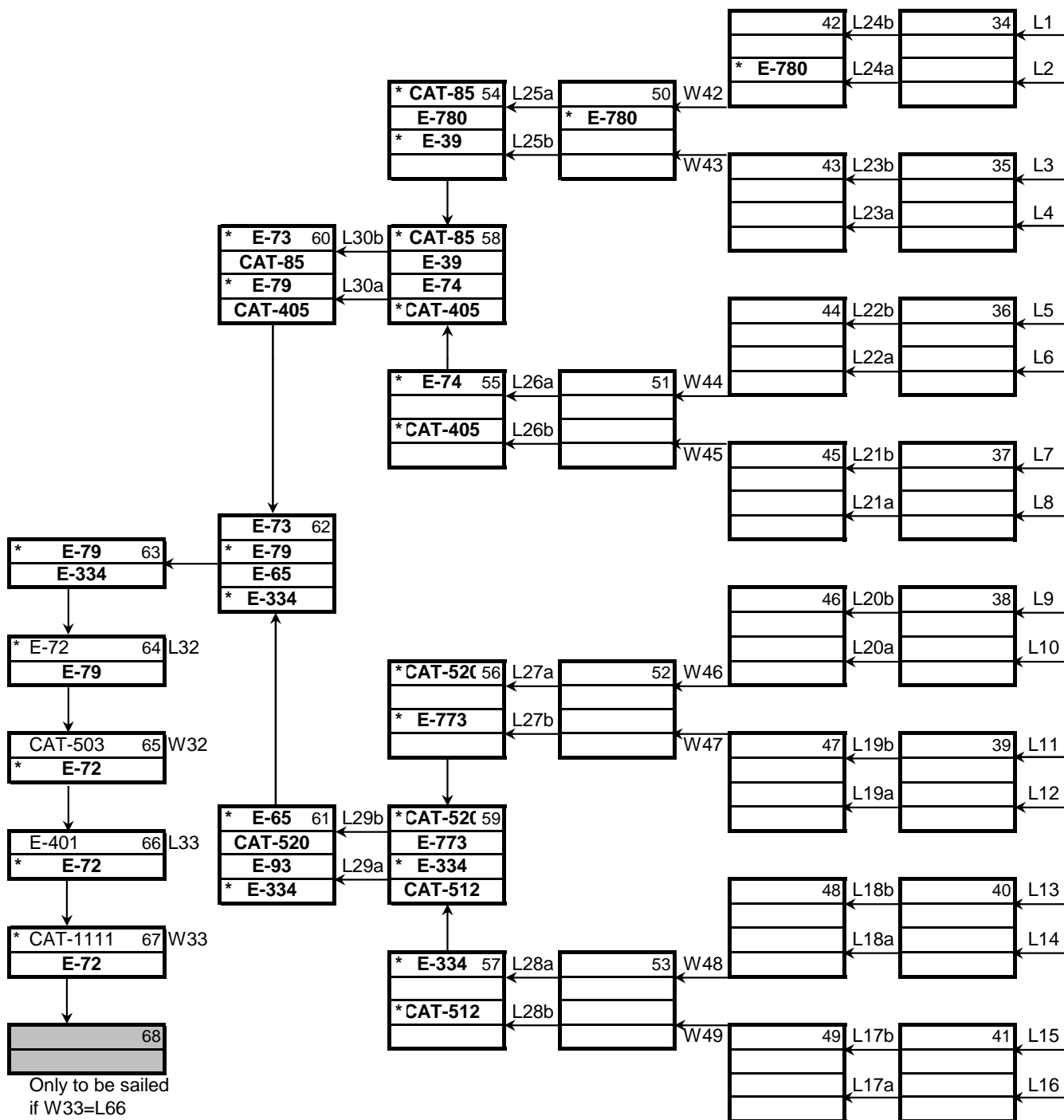
JUVENIL

| Pos. | Cat. | Nom | Núm. Vela | Punts | Sponsors | Club | |
|------|------|--------------|-----------|-------|---|---------------------|----------|
| 1 | J | Marc Paré | E-334 | 0,7 | Rrd, Simmer, AL360, Sailboards Girona, Kirocream, Quopiam, EMC2 | GEN Roses | Catalana |
| 2 | J | Martí Roset | CAT-503 | 2,0 | Windiscovery | CW Port de la Selva | Catalana |
| 3 | J | Àlex Vidal | E-780 | 3,0 | - | WAP | Catalana |
| 4 | J | Didac Pinart | CAT-520 | 4,0 | A dos Veles | CN Port de la selva | Catalana |

FÈMINES

| Pos. | Cat. | Nom | Núm. Vela | Punts | Sponsors | Club | |
|------|------|------------|-----------|-------|------------------------|-----------|----------|
| 1 | F | Aida Macià | CAT-85 | 0,7 | JP Austria, Neil Pryde | CN Bétulo | Catalana |

CIRCUIT CATALÀ DE FUNBOARD 2013
2º PROVA CCF PORT DE LA SELVA
CLUB: CN PORT DE LA SELVA - A DOS VELES
Port de la Selva (Girona), 20 d'abril
Freestyle



CIRCUIT CATALÀ DE FUNBOARD 2013
2º PROVA CCF PORT DE LA SELVA
CLUB: CN PORT DE LA SELVA - A DOS VELES
Port de la Selva (Girona), 20 d'abril
Freestyle

